

DMG100

FULL MOTION GAS SPRUNG DESKTOP MONITOR MOUNT

Item ref: 129.525UK

User Manual

This full motion desktop mount will easily hold TV's and computer monitors from 10" up to 27". Its versatile gas sprung arm allows maximum flexibility to extend, tilt and swivel; providing easy positioning and viewing.

- Internal gas spring offers easy adjustments
- Integrated cable management keeping your leads tidy and out of sight
- Suitable for LED/LCD screen sizes 10" - 27"
- For screens from 1.5kg to 5kg in weight
- VESA 75 and 100 hole patterns
- -85° to 15° tilt mechanism
- 180° pan from mounting plate
- 360° swivel from centre arm joint
- 270° swivel from desk clamp
- Desk fixing clamp (100mm max. depth) or grommet mounting options
- Installation hardware included

Caution

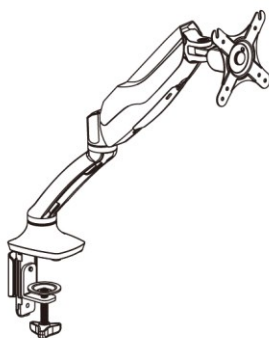
Please read this manual thoroughly to avoid damage to property or personnel. If unsure of any part of this manual please refer to professional installer for help:

- This product contains small components that could pose a choking hazard if swallowed, please keep out of reach of children.
- This product is designed for mounting on wall studs or concrete wall. Always ensure the mounting surface will be capable of withstanding the combined weight of the TV bracket and TV, reinforcement may be required for aged or weak walls.
- Safety gear such as gloves and safety goggles must be worn during the installation. A minimum of two people are required throughout the installation, failure to do so may result in injury or damage.
- This product is design for indoor use only. The bracket must be inspected at least every two months for loose joints or aged parts.

Contents

Please check all contents listed below are included inside the box. If anything is missing please return to the retailer or dealer.

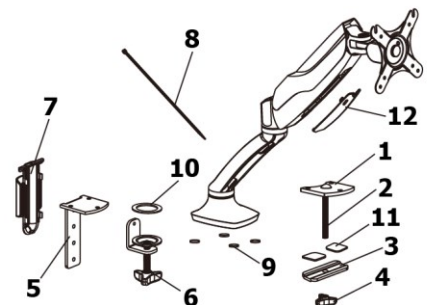
For this installation you will also require a Philips (cross) screw driver.



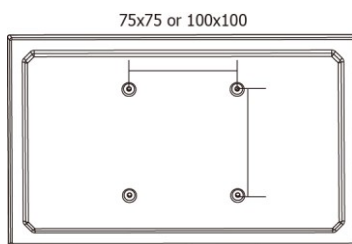
IN THE BOX:



- 1 x base support
- 1 x base screw
- 1 x washer
- 1 x butterfly turnkey
- 1 x clamp bracket
- 1 x clamp screw
- 1 x cable retainer
- 6 x nylon cable ties
- 4 x anti-slip rubber feet
- 1 x rubber desk protector
- 2 x rubber protectors
- 1 x cable management clip

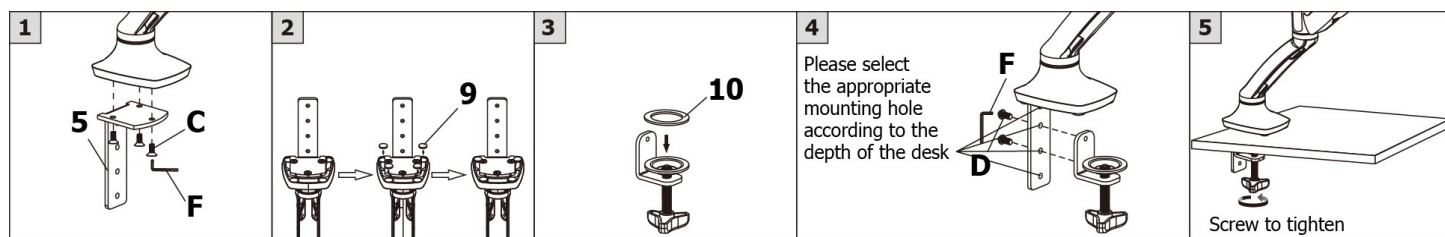


STEP 1 – Make sure your monitor has the required VESA holes of either 100x100mm or 75x75mm.

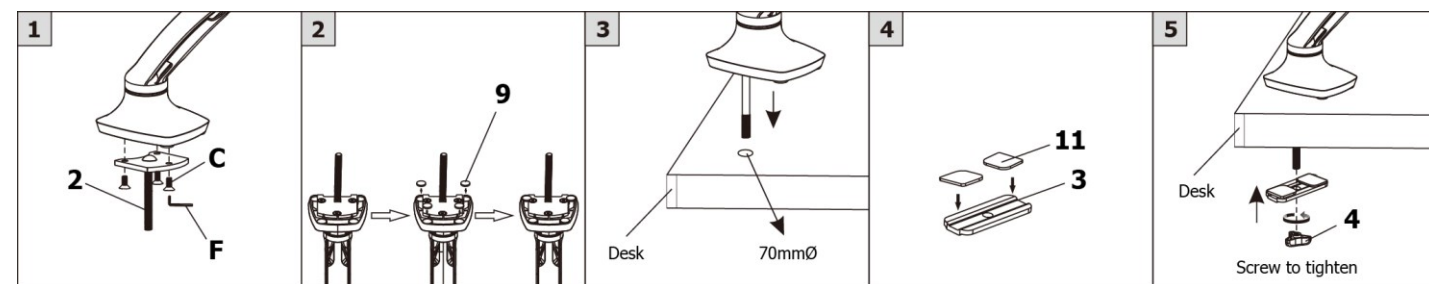


STEP 2

Option 1 – Assemble and mount the clamp

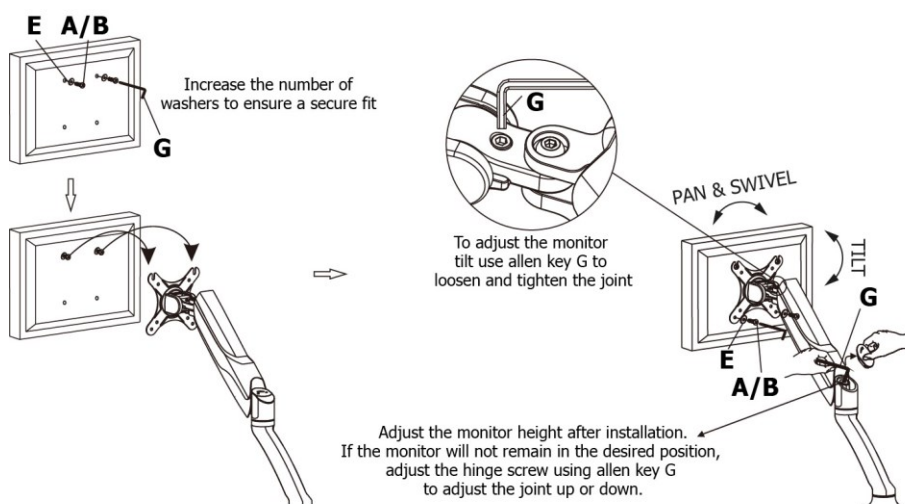


Option 2 – Assemble and mount via grommet



STEP 3

Attach mounting plate to the screen or monitor
Adjust screen to preferred position



Step 4

Cable management

