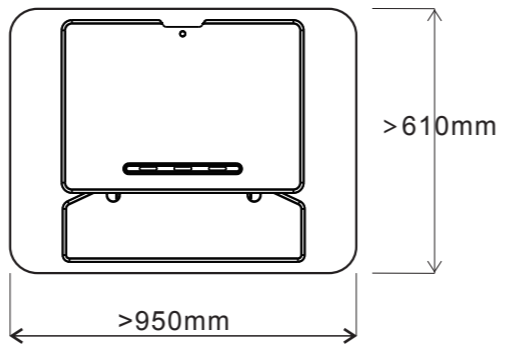


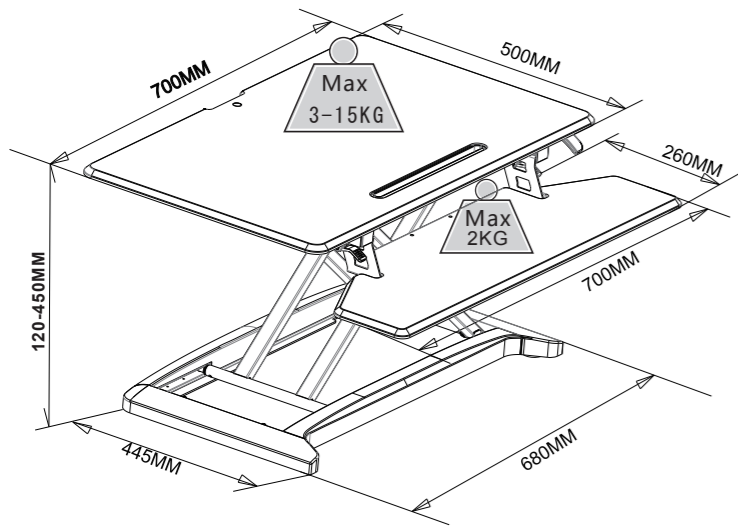
### Technical Data

Table cover size:



**WARNING** Please do not exceed the maximum **WARNING** bearing weight

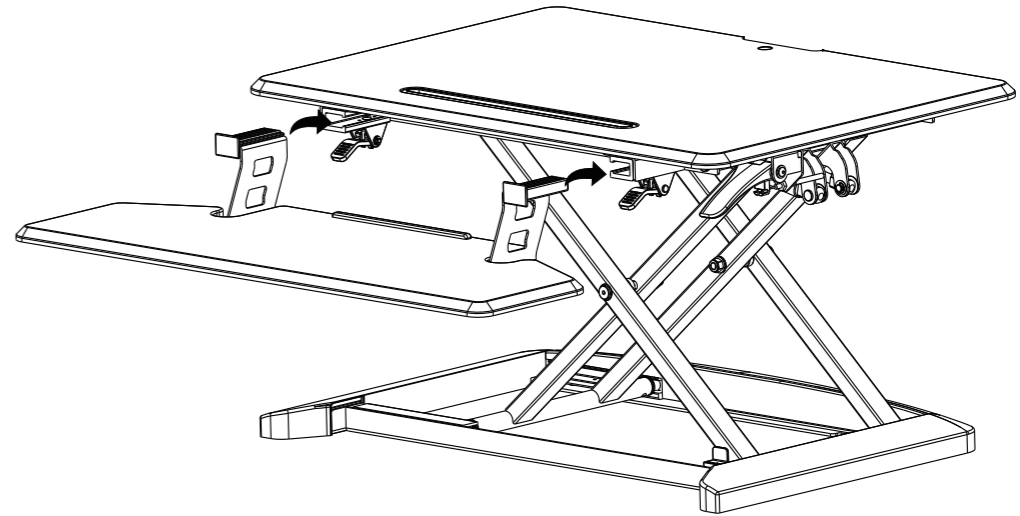
Loading range	3~15Kg
Height adjustment range	120-450mm



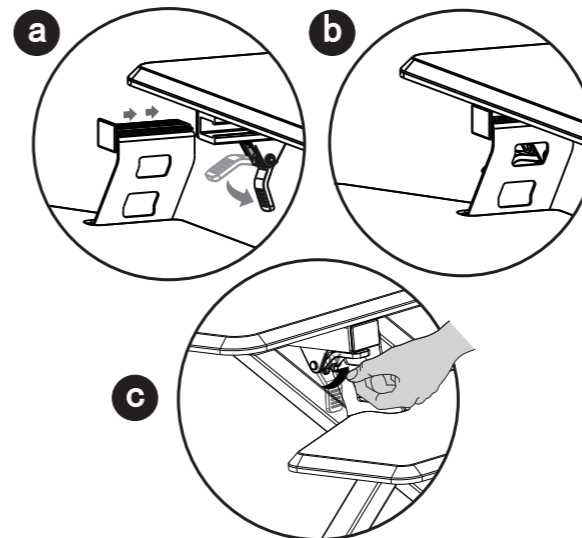
### ASSEMBLY STEP 1



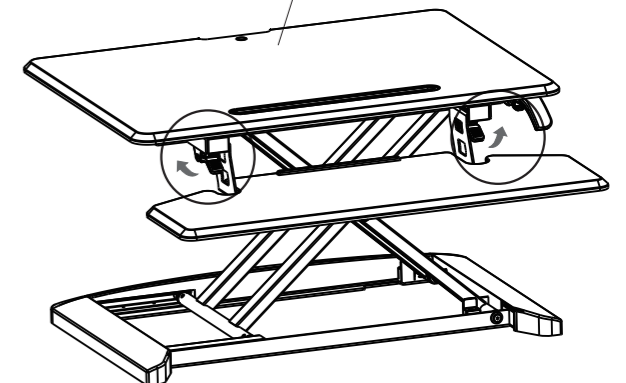
### ASSEMBLY STEP 2



Hang the keyboard shelf carefully onto the mounting brackets and secure both sides using the locking levers



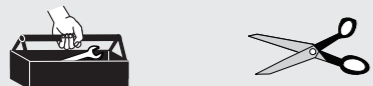
To remove the keyboard shelf unlock both levers and slide away from the main unit



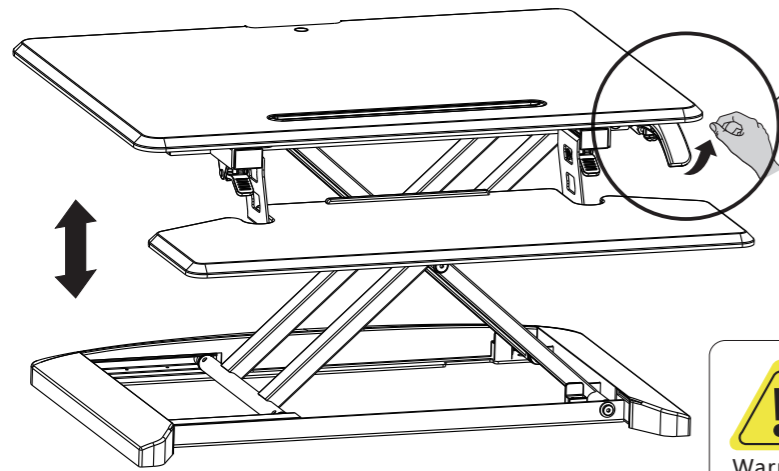
### Accessory Package List

No.	Spare part	No.	Spare part	No.	Spare part
A	x1	B	x1	C	x4
No.	Spare part				
D	x1				

TOOLS



**ASSEMBLY STEP 3**

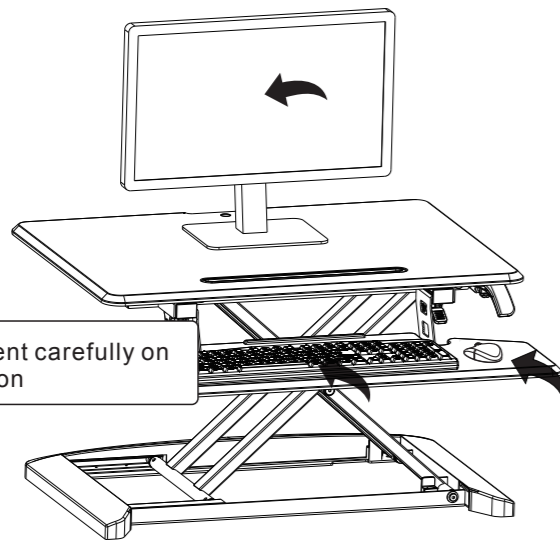


To adjust to the desired height take a firm grip on the worktop and press the adjustment lever on the right hand side. Take care when adjusting with a lighter load as it will adjust up quickly and could cause damage to your equipment or personal injury



Please keep your hands away from the mechanism underneath the workstation when adjusting the height to avoid personal injury

**ASSEMBLY STEP 4**



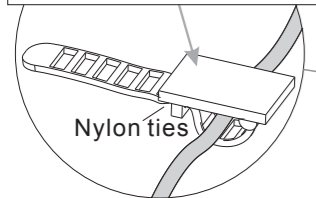
Please ensure all your equipment is placed securely on the surfaces ensuring nothing is hanging over the edges to avoid accidents and damage to your items

**ASSEMBLY STEP 5**

1 Use the cable management sleeve provided to bundle and tidy your cables

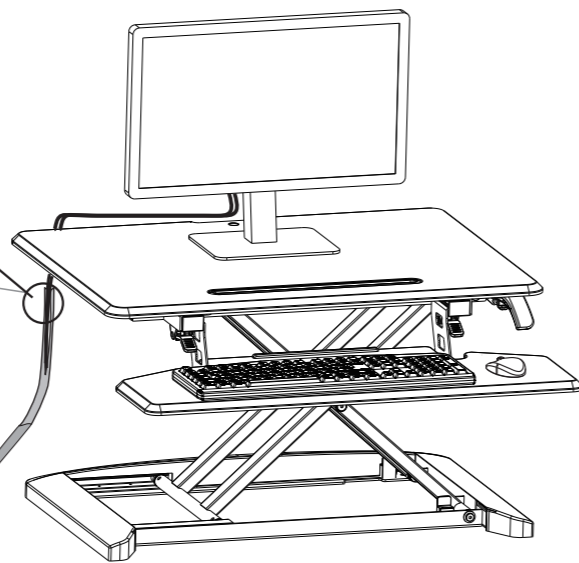
2

Use the self adhesive cable clips provided to secure any loose cables to the workstation



Nylon ties

Cable



Please ensure you leave enough slack cable when using the cable clips to allow for the desk height adjustment

**WARNING**

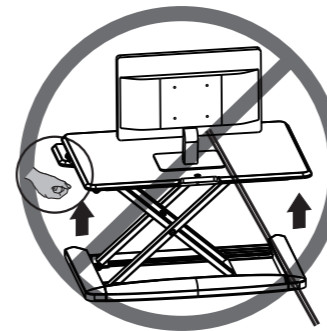
Please read the instructions carefully and take special note of the warnings below before use



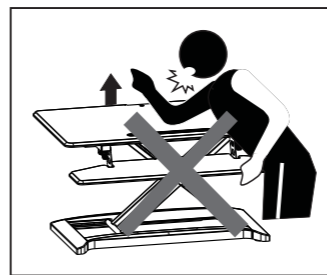
Please keep your hands away from the mechanism underneath the workstation when adjusting the height to avoid personal injury



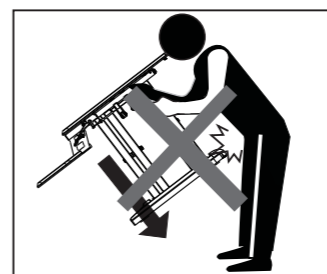
Please ensure all your equipment is placed securely on the surfaces ensuring nothing is hanging over the edges to avoid accidents and damage to your items



Please ensure you leave enough slack cable when using the cable clips to allow for the desk height adjustment



Always ensure you have a firm grip of the worktop before using the height adjustment lever to avoid damage to your equipment or personal injury



Please carry the workstation using 2 persons at all times to avoid damage to the item and personal injury