

USC400

FULL MOTION CANTILEVER TV WALL BRACKET

Item ref: 129.562UK

User Manual

This full motion wall bracket is suitable for LCD/LED screens from 32" up to 50". Offers maximum flexibility with extend, tilt and swivel capabilities providing easy viewing from any seat in a room. The easy to assemble, low profile design will save you wall space and keep your cables clean and tidy.

- Suitable for LED/LCD screen sizes 32" - 50"
- VESA 100, 200, 300 & 400 hole patterns
- -2° to 12° tilt mechanism
- 180° pan from mounting plate
- 180° swivel from centre arm joint
- Integrated cable management system gathers and routes your cables neatly
- Installation hardware included

Caution

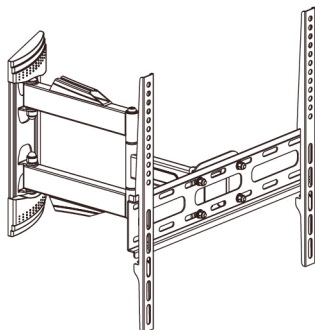
Please read this manual thoroughly to avoid damage to property or personnel. If unsure of any part of this manual please refer to professional installer for help:

- This product contains small components that could pose a choking hazard if swallowed, please keep out of reach of children.
- This product is designed for mounting on wall studs or concrete wall. Always ensure the mounting surface will be capable of withstanding the combined weight of the TV bracket and TV, reinforcement may be required for aged or weak walls.
- Safety gear such as gloves and safety goggles must be worn during the installation. A minimum of two people are required throughout the installation, failure to do so may result in injury or damage.
- This product is design for indoor use only. The bracket must be inspected at least every two months for loose joints or aged parts.

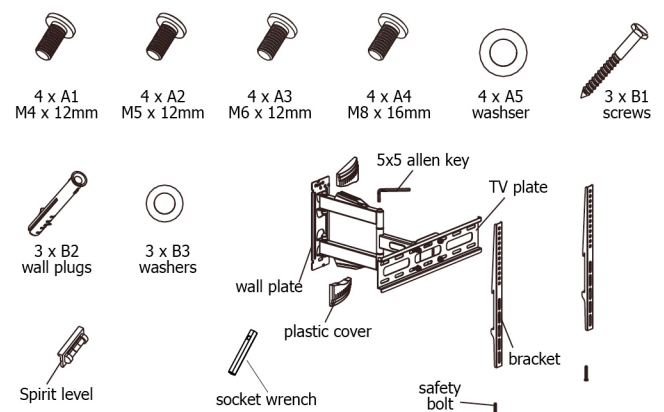
Contents

Please check all contents listed below are included inside the box. If anything is missing please return to the retailer or dealer.

For this installation you will also require a pencil, tape measure, electric drill, stud finder, spirit level and a Philips (cross) screw driver.

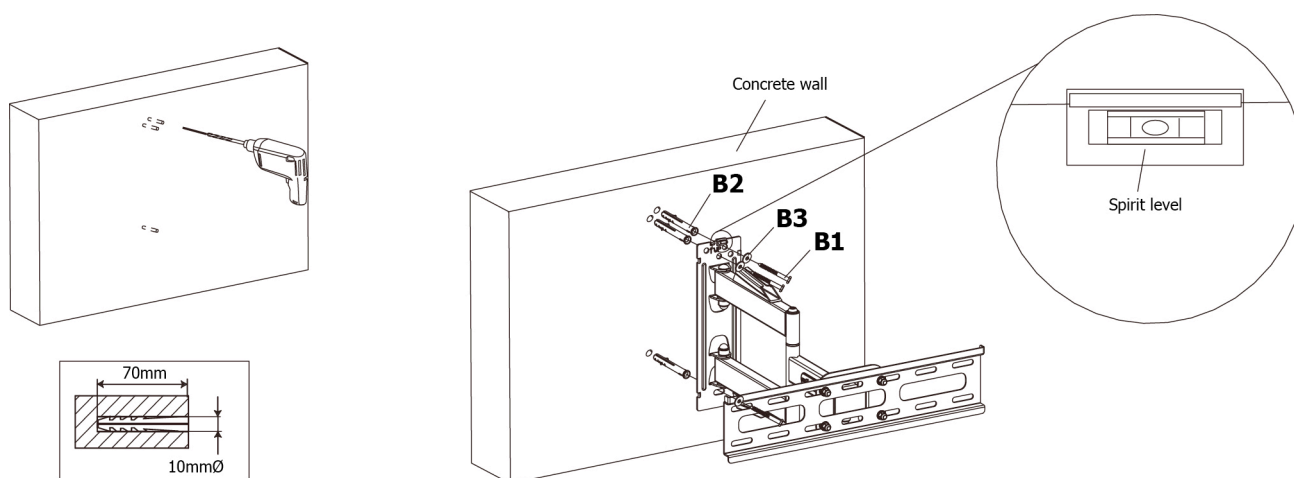


IN THE BOX:

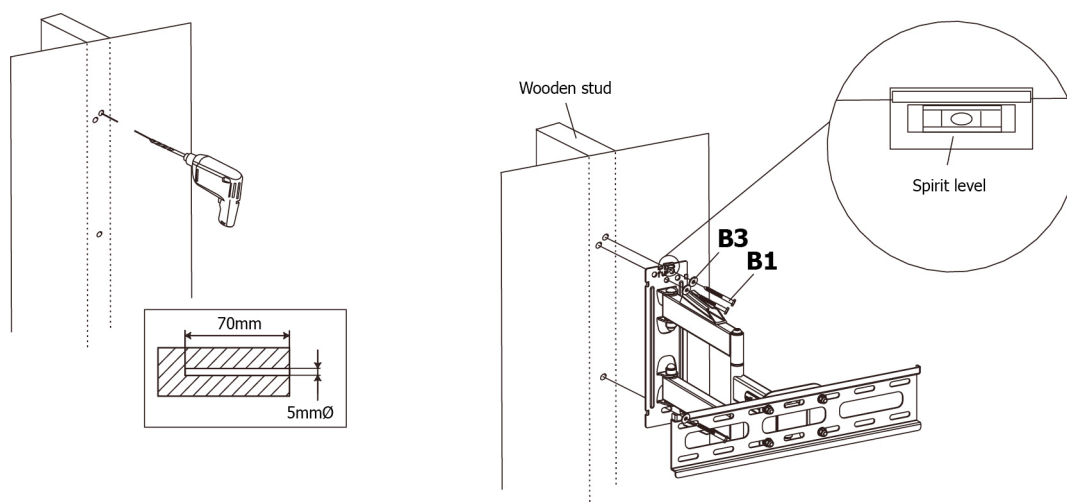


STEP 1 – Fixing the wall bracket

For concrete wall installation first of all work out the height of the installation and ensure it is level using the spirit level. Use a pencil to mark where the mounting holes will be and use an electric drill to drill a hole that is around 10mm in diameter and 70mm deep. Insert the wall plugs into the holes and install the wall bracket as follows.

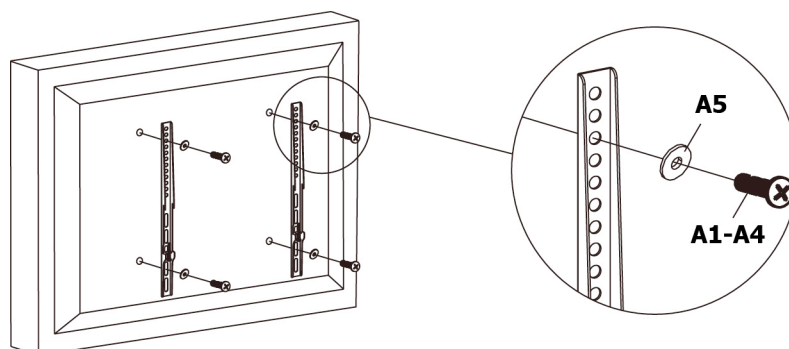


For plaster wall installation first of all find out where the wood stud is behind the wall using a stud finder. Then work out the height of the installation and ensure it is level using the spirit level. Use a pencil to mark where the mounting holes will be and use an electric drill to drill a hole that is around 5mm in diameter and 70mm deep. Install the wall bracket as follows.

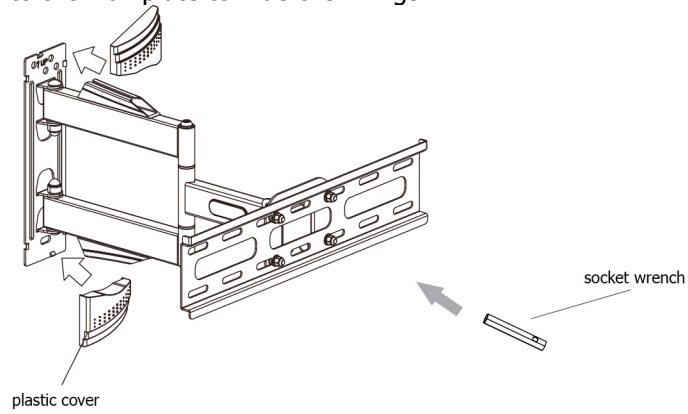


STEP 2 – Attach bracket to the TV screen.

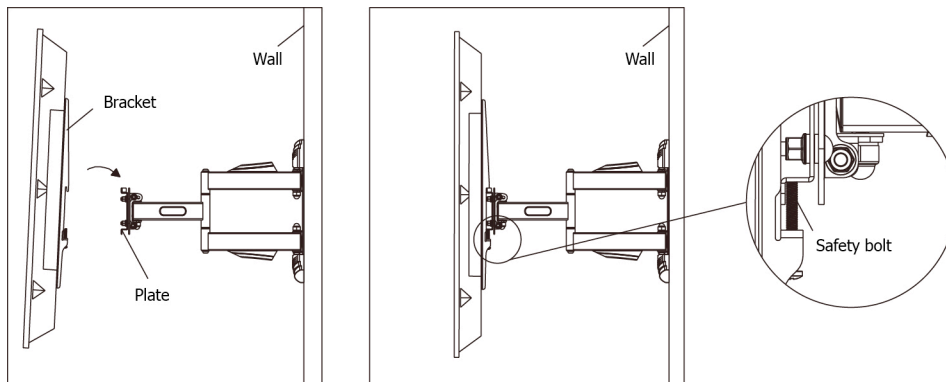
If the back of the screen is completely flat and you intend to use A1 or A2 screws, please use A5 washers. If you intend to use A3 or A4 screws, please do not use the washers.



STEP 3 - Attach plastic covers to the wall plate to hide the fixings



STEP 4 – Install TV on to the wall bracket.



STEP 5 – Use the cable management system and adjust the pan and swivel tension to set the screen into the desired position.

