

# PRG400

## FULL MOTION GAS SPRUNG TV WALL BRACKET

Item ref: 129.564UK

User Manual

This gas sprung TV bracket is capable of mounting a TV from 37" up to 50". Its versatile gas sprung arm allows maximum flexibility to extend, tilt and swivel; providing easy positioning and viewing with minimum.

- Internal gas spring offers fluid movement and the tension gauge can be adjusted to fit various load weights
- Suitable for LED/LCD screen sizes 37" - 50"
- For screens 12kg to 21kg in weight
- VESA 200, 300 and 400 hole patterns
- -5° to 10° tilt mechanism
- 100° vertical adjustment
- 180° pan from mounting plate
- 360° swivel from centre arm joint
- Integrated cable management keeping your leads tidy and out of sight
- Installation hardware included

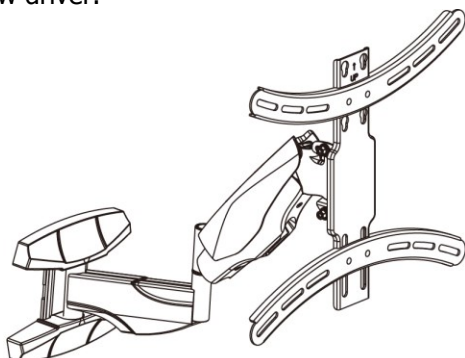
### Caution

Please read this manual thoroughly to avoid damage to property or personnel. If unsure of any part of this manual please refer to professional installer for help:

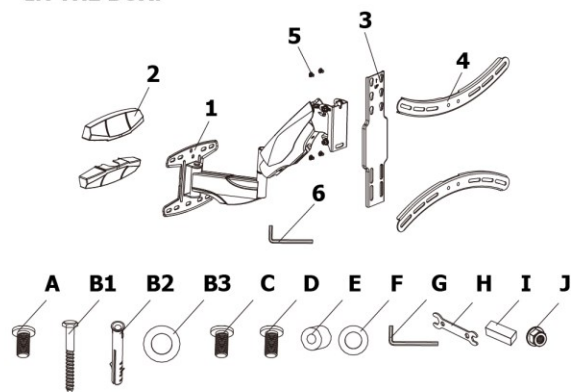
- This product contains small components that could pose a choking hazard if swallowed, please keep out of reach of children.
- This product is designed for mounting on wall studs or concrete wall. Always ensure the mounting surface will be capable of withstanding the combined weight of the TV bracket and TV, reinforcement may be required for aged or weak walls.
- Safety gear such as gloves and safety goggles must be worn during the installation. A minimum of two people are required throughout the installation, failure to do so may result in injury or damage.
- This product is design for indoor use only. The bracket must be inspected at least every two months for loose joints or aged parts.

### Contents

Please check all contents listed below are included inside the box. If anything is missing please return to the retailer or dealer. For this installation you will also require a pencil, tape measure, electric drill, stud finder, spirit level and a Philips (cross) screw driver.



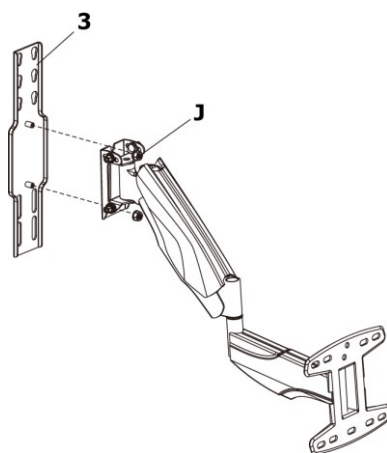
### IN THE BOX:



1. 1 x wall plate
  2. 2 x plastic covers
  3. 1 x TV plate
  4. 2 x TV brackets
  5. 4 x screws
  6. 1 x 4x4 allen key
- A. 4 x M5x25mm bolts  
 B1. 5 x long bolts  
 B2. 5 x wall plugs

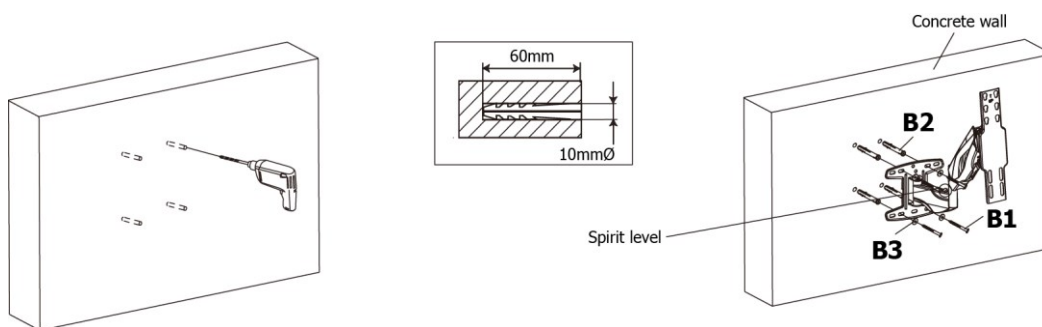
- B3. 5 x long bolt washers  
 C. 4 x M6x25mm bolt  
 D. 4 x M8x25mm bolt  
 E. 4 x spacers  
 F. 4 x washers  
 G. 1 x 5x5 allen key  
 H. 1 x wrench  
 I. 1 x spirit level  
 J. 2 x nuts

### STEP 1 – Wall plate assembly

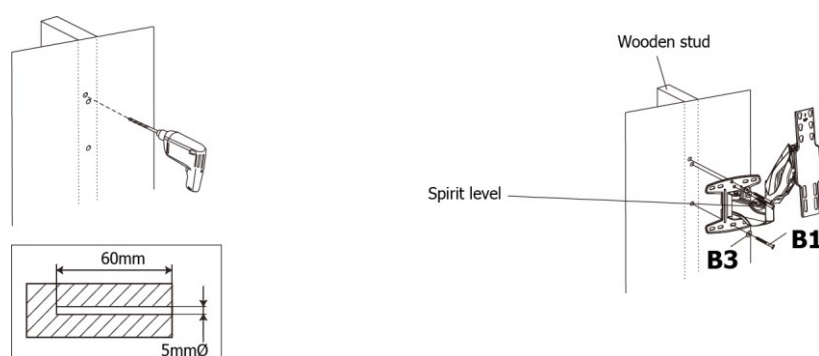


### STEP 2 – Wall mounting

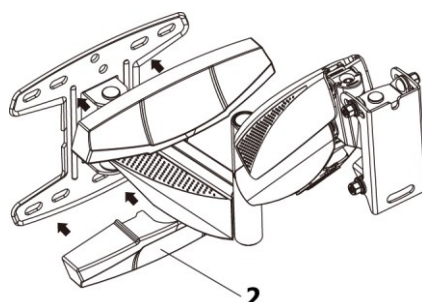
For concrete wall installation first of all work out the height of the installation and ensure it is level using the spirit level. Use a pencil to mark where the mounting holes will be and use an electric drill to drill a hole that is around 10mm in diameter and 60mm deep. Insert the wall plugs into the holes and install the wall bracket as follows.



For plaster wall installation first of all find out where the wood stud is behind the wall using a stud finder. Then work out the height of the installation and ensure it is level using the spirit level. Use a pencil to mark where the mounting holes will be and use an electric drill to drill a hole that is around 5mm in diameter and 60mm deep. Install the wall bracket as follows.



### STEP 3 - Attach plastic covers to the wall plate to hide the fixings

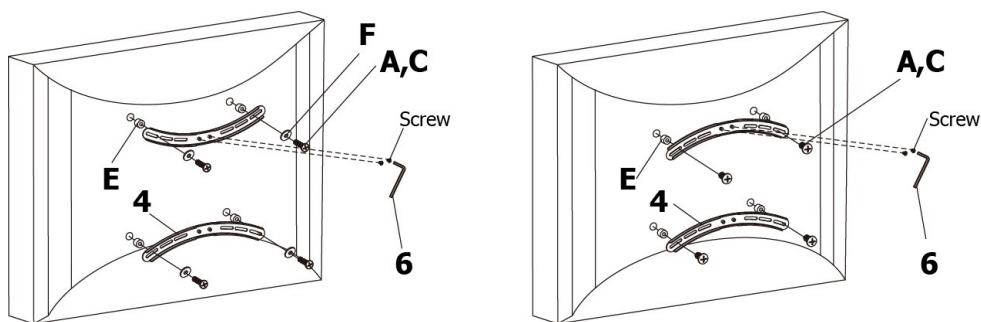


### STEP 4 – Attach brackets to the TV screen

If the screen has a flat back use screws D. Centre the brackets on the screen and screw together using screw D and spacer E. Do not over tighten.

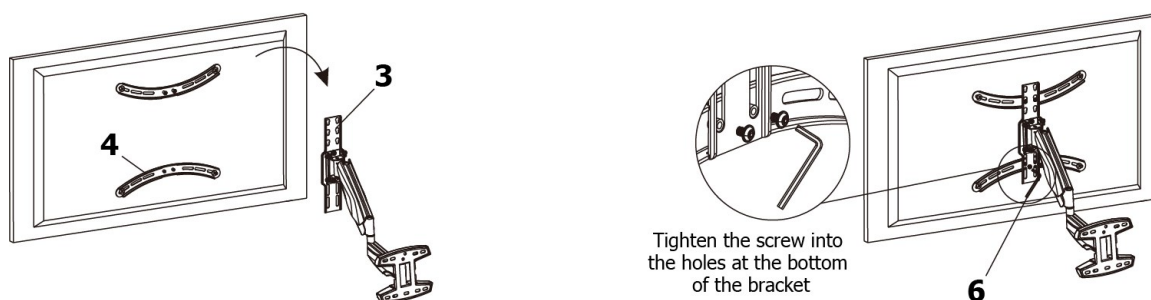


If the screen has a curved back use screws A, B or C. Centre the brackets on the screen and screw together using your selected screws, four washers (F) and four spacers (E). Do not over tighten.



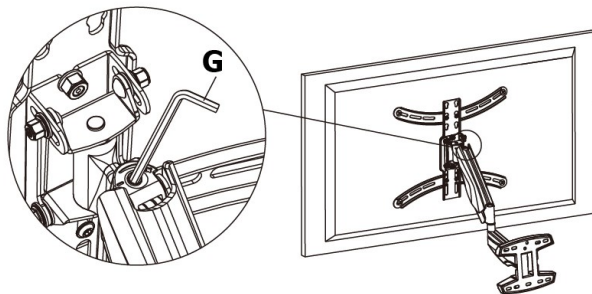
### STEP 5 – Mount the screen to the wall bracket

Hook the top of bracket 4 onto the top of bracket 3 the swing the screen down. Tighten the screws in the bottom of the bracket to fix in place.



**STEP 6 – Adjusting the screen**

Use allen key **G** to tighten and loosen the tension screw. Adjust the monitor until desired position is achieved.



**STEP 7 – Cable management**

Route the cables as picture below using the cable management clips.

