

DVDB1

Adjustable Wall Mount Media Shelf

Item ref: 129.590UK

User Manual

Thank you for choosing the DVDB1 media shelf. This bracket is constructed from reinforced steel and tempered glass for shelving a media box up to 10kg in weight. Designed to be easily installed and supplied with all required installation hardware.

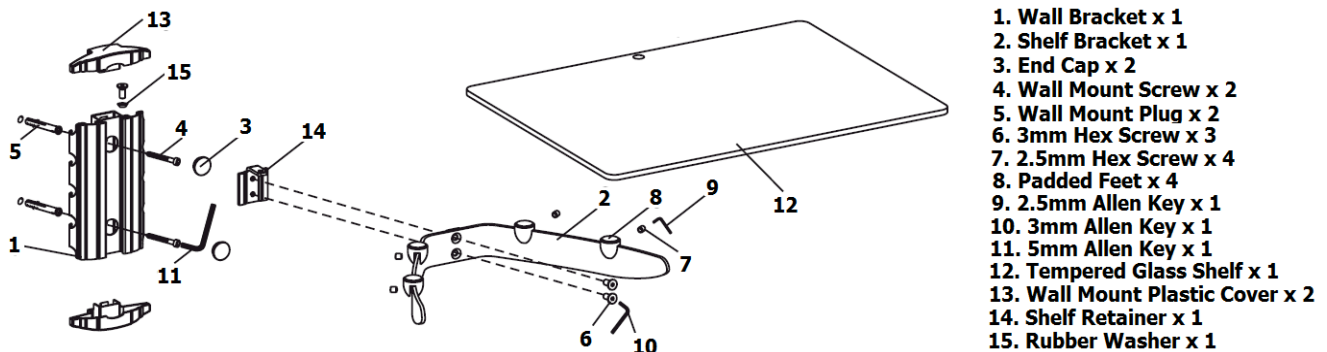
Caution:

Please read this manual thoroughly to avoid damage to property or personnel. If unsure of any part of this manual please refer to professional installer for help:

- This product contains small components that could pose a choking hazard if swallowed, please keep out of reach of children.
- This product is designed for mounting on wall studs or concrete wall. Always ensure the mounting surface will be capable of withstanding the combined weight of the TV bracket and TV, reinforcement may be required for aged or weak walls.
- Safety gear such as gloves and safety goggles must be worn during the installation. A minimum of two people are required throughout the installation, failure to do so may result in injury or damage.
- This product is design for indoor use only. The bracket must be inspected at least every two months for loose joints or aged parts.

Contents:

Please check all contents listed below are included inside the box. If anything is missing please return to the retailer or dealer.



For this installation you will also require a pencil, tape measure, electric drill, stud finder and a Philips (cross) screw driver.

Step 1 – Assembly

Fig 1 - Slot the 4 padded feet (8) on to the shelf bracket (2). Space them out evenly and lock in place using the 2.5mm hex screws (7) and Allen key (9) supplied.

Fig 2 - Slide the shelf retainer (14) on to the wall bracket (1) and clip on the plastic covers (13) on both top and bottom of the wall bracket.

Fig 3 - Mount the shelf bracket into the wall using the 3mm hex screws (6) and supplied Allen key (10).

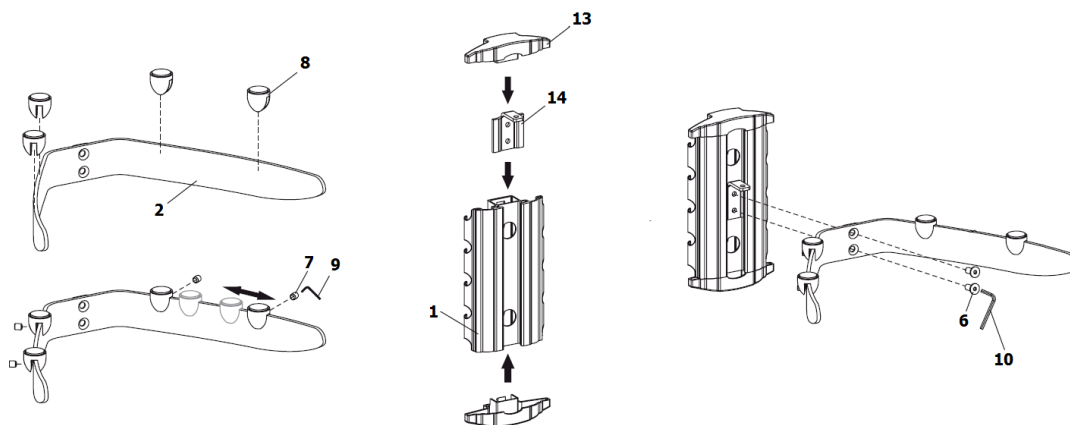


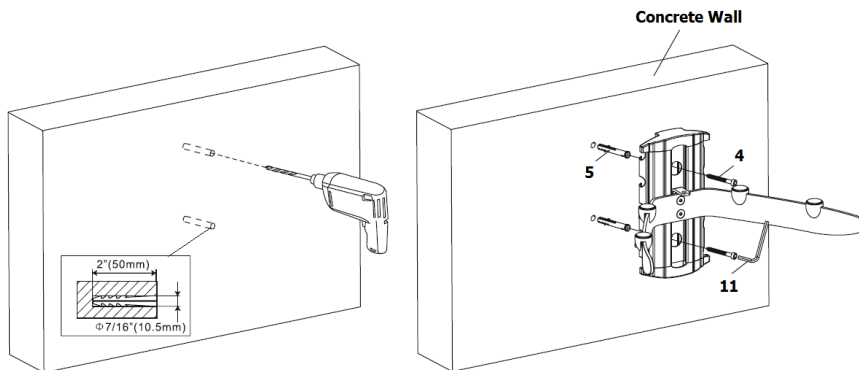
Fig 1

Fig 2

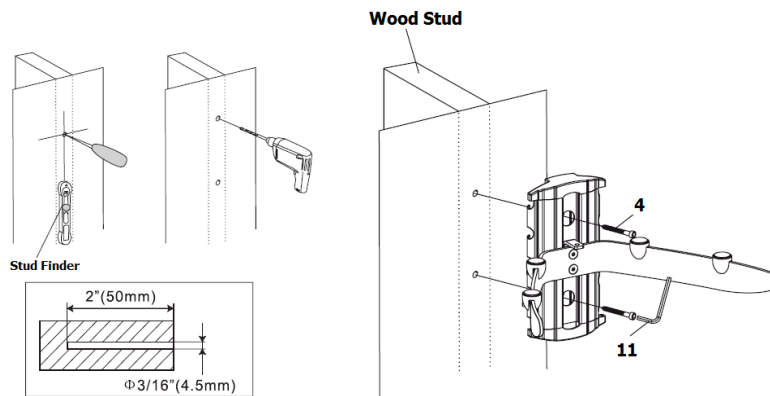
Fig 3

Step 2 – Fixing bracket to the wall

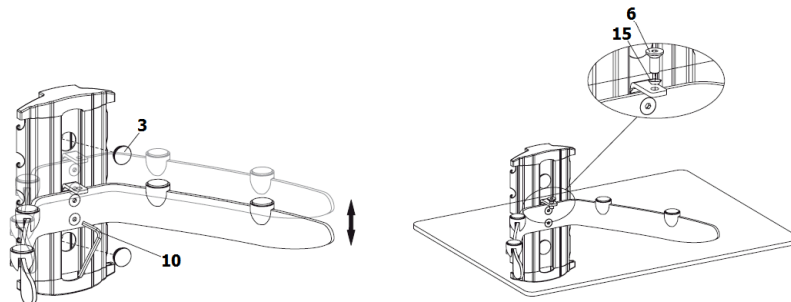
For concrete installation first work out the position of where the bracket is going to be installed. Hold the bracket against the ceiling and use a pencil to mark where the mounting holes will be. Use an electric drill to drill a hole that is around 10.5mm in diameter and 50mm deep. Insert wall plugs (5) into the holes and install the wall bracket as follows.



For plaster wall installation first you need to find out where the wood stud is behind the plastered ceiling using a stud finder. Then work out the required position, hold the bracket against the ceiling and use pencil to mark where the mounting holes will be. Use an electric drill to drill a hole that is around 4.5mm in diameter and 50mm deep. Install the wall bracket as follows.



Step 3 – Pick the desired height of the shelf bracket and fix in place by tightening the two 3mm hex screws. Gently place the tempered glass on the bracket, the edges of the glass are beveled on the top side. Fix glass into place using a 3mm screw (6) and rubber washer (15).



Step 4 – Cables can be tucked into the side of the bracket to finish the installation.

