

## DVDB2

### Wall Mount Media Shelf

Item ref: 129.591UK

User Manual

Thank you for choosing the DVDB2 media shelf. This bracket is constructed from reinforced steel and tempered glass for shelving a media box up to 5kg in weight. Designed to be easily installed and supplied with all required installation hardware.

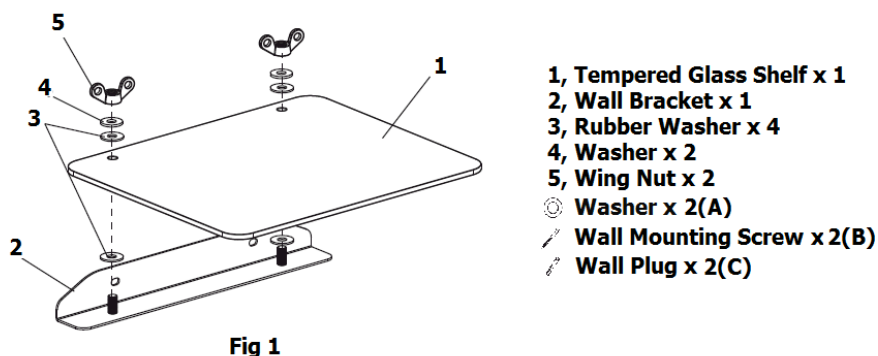
#### Caution:

Please read this manual thoroughly to avoid damage to property or personnel. If unsure of any part of this manual please refer to professional installer for help:

- This product contains small components that could pose a choking hazard if swallowed, please keep out of reach of children.
- This product is designed for mounting on wall studs or concrete wall. Always ensure the mounting surface will be capable of withstanding the combined weight of the TV bracket and TV, reinforcement may be required for aged or weak walls.
- Safety gear such as gloves and safety goggles must be worn during the installation. A minimum of two people are required throughout the installation, failure to do so may result in injury or damage.
- This product is design for indoor use only. The bracket must be inspected at least every two months for loose joints or aged parts.

#### Contents:

Please check all contents listed below are included inside the box. If anything is missing please return to the retailer or dealer.



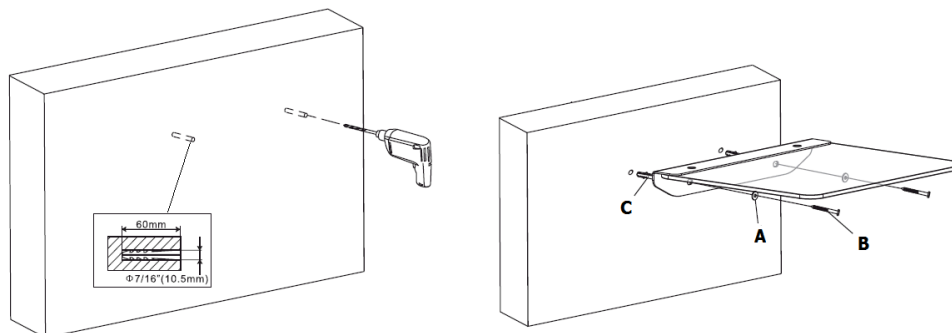
For this installation you will also require a pencil, tape measure, electric drill, stud finder and a Philips (cross) screw driver.

#### Step 1 – Assembly

Follow **Fig 1** above. Ensure rubber washers are used to sandwich the glass shelf at fixing point to avoid breakage of the glass shelf.

#### Step 2 – Fixing bracket to the wall

For concrete installation first work out the position of where the bracket is going to be installed. Hold the bracket against the ceiling and use a pencil to mark where the mounting holes will be. Use an electric drill to drill a hole that is around 10.5mm in diameter and 50mm deep. Insert wall plugs (C) into the holes and install the wall bracket using the wall mounting screws (B) and washers (A) as pictured below.



Errors and omissions excepted.  
Copyright© 2015. AVSL Group Ltd.