

MINI GALAXY

RGB Laser with Internal Battery

Item ref: 152.767UK

User Manual

Thank-you for choosing this Mini Galaxy RGB laser.

This laser takes the popular galaxy model and scaled it down to create this mini RGB version with an internal battery. This high quality unit creates clusters of laser beams over a large area, creating an effect similar to one when a light is shone on a mirror ball generating thousands of laser points. The handy small size allows easy carrying and quick setup and is further enhanced by the use of fog. Ideal for mobile DJs or small parties.

- Built-in rechargeable battery offers great portability
- RGB laser gives seven colour modes in R, G, B, RG, RB, GB, RGB
- Wide coverage
- Fire fly, firework and star cluster effects
- 8 refraction effects
- 2 different speeds for auto and sound to light mode
- Can be controlled by supplied remote controller
- Supplied with stand and ceiling mount



WARNING This item contains laser radiation, no user serviceable/repairable parts within. Please refer to licensed electrician to perform any required repair or maintenance. This product is strictly for professional use only. Approved personnel required to install and operate the unit, strictly following the laser health and safety guidelines HSG95.

For detailed information regarding HSG95, please see the below web link:

<http://www.hse.gov.uk/pubns/books/hsg95.htm>



This product is a class 3R laser but contains class 3B laser when the case is open. Care needs to be taken when operating the device. Risk of damage is low but still present. Extreme care needs to be taken if case is to be opened, as full power 3B laser beams can escape without the casing and lens protection. Please read this manual thoroughly before use.

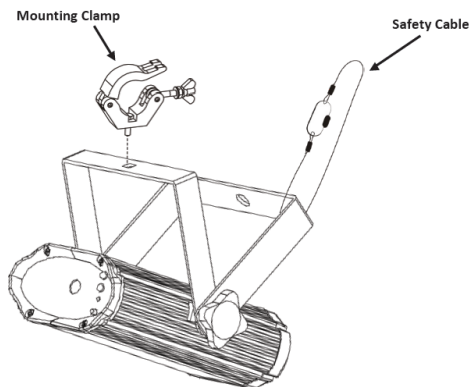
In the box

This mini laser should arrive to you in a single carton. Please ensure the box is undamaged before accepting the goods. The box should contain:

- Mini Galaxy laser unit
- 12Vdc power supply with UK & EU adaptors
- Bracket and ceiling mount
- User manual

Installation

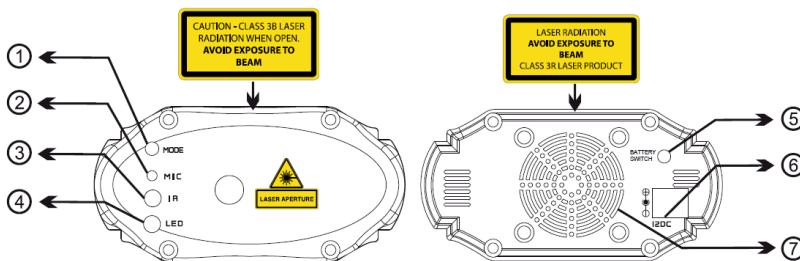
This product should be securely mounting with adequate fixings to hold the weight. If mounted at a height use a safety wire attached to the inner bracket and a secondary fixing point.



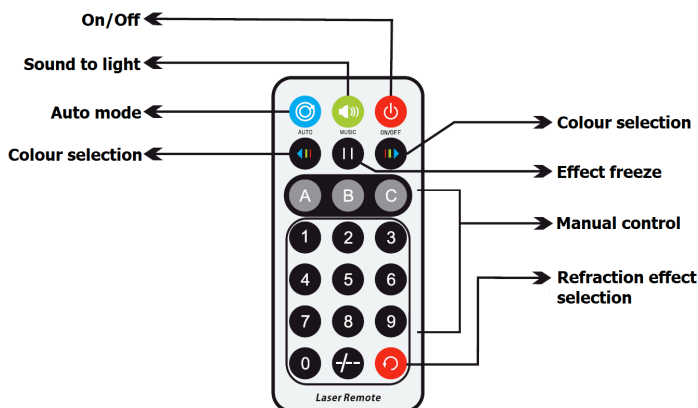
Position the laser aperture so that the beam is directed away from people and reflective objects. When mounted in this manner the unit should be 3m from the ground and 2.5m from any wall, as cited in HSG95. The below cautions must be observed:

- Power up and run the unit for 10 minutes to check the unit is working properly
- Find appropriate location for installation. Do not install in a hot, moist or dusty environment. Ensure there is enough air flow, do not obstruct ventilation.
- Do not expose unit to rain, this unit is strictly for indoor use only.

Product layout



1. Mode select switch to select between auto and sound to light modes
2. Built-in mic
3. IR receiver
4. LED status indicator
5. Battery power switch
6. 12Vdc in
7. Ventilation fan, do not block



On/Off – to turn unit on and off

Sound to light – press to select sound to light mode, sensitivity can be adjust through numbers 1-9 (1 being least sensitive and 9 being most sensitive).

Auto mode – press to select auto mode, the laser will run through various different effects.

Colour selection – press to select different laser colours and combinations.

Effect freeze – press to freeze current displaying effect.

A – controls red colour laser, press A then number 1 to 9 to control the red laser strobe. Speed increase with number value. Press A then 0 will turn the red laser off.

B – controls green colour laser, press B then number 1 to 9 to control the green laser strobe. Speed increase with number value. Press B then 0 will turn the green laser off.

C – controls blue colour laser, press C then number 1 to 9 to control the blue laser strobe. Speed increase with number value. Press C then 0 will turn the blue laser off.



- press to change the refraction effect.

Maintenance

There are no end-user serviceable parts within the unit. To maintain a workable condition we advice dusting the unit on a regular basis. Before cleaning or dusting, always ensure the mains power cable is removed from the unit. Use a soft cloth, lightly dampened with water or mild detergent to wipe off the dust from the casing. DO NOT use spray on the case as droplets may enter the unit through the ventilation and cause damage to electronics inside. Remove the trapped dust from the ventilation holes of the unit with a vacuum cleaner with a brush attachment, a dust blower or a hand brush.

Troubleshooting

No power output	Check power supply is fully plugged in and mains is switched on.
	Check pin adaptor is fully slotted on the power supply and DC plug is fully inserted into the back of the unit.
Power on but no output	Ensure unit is switched on by pressing and holding the mode button.
	Ensure remote control battery is not dead.
	Ensure the unit is not on sound to light mode.
	Ensure laser aperture is not blocked
Unable to power by battery	Ensure battery switch is switched on.
	Ensure battery is fully charged before use.

Specifications

Power adaptor	100-240Vac, 50/60Hz
Battery type	Li-Ion 2200mAh @ 7.2Vdc
Battery operation time	Single colour: 3hrs, Two colours: 2hrs, RGB: 1hr
Power supply	12Vdc @ 1A
Power consumption	15W max.
Laser class	3R
Red laser power	100mW 650nm
Green laser power	50mW 532nm
Blue laser power	100mW 450nm
Dimensions	90 x 145 x 46mm
Weight	350g
Laser safety standard	BSEN60825-1 2007

This product complies with laser safety standard EN60825-1 2007.



This product is classed as Electrical or Electronic equipment and should not be disposed with other household or commercial waste at the end of its useful life. The goods must be disposed of according to your local council guidelines.