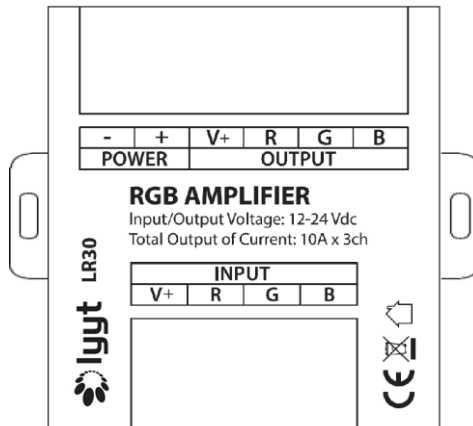


LR30

RGB Amplifier/Repeater

Item ref: 153.774UK

User Manual





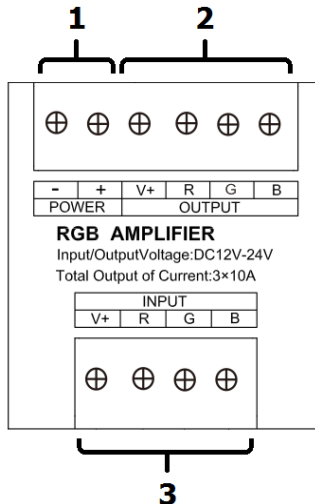
Caution: Please read this manual carefully before operating
Damage caused by misuse is not covered by the warranty

Introduction

The LR30 is a signal repeater designed to allow extended runs of 12V or 24V RGB LED tape and strip. Any RGB LED tape controller has a limited amount of current capacity, which means that it can only control a limited length of LED tape. The LR30 acts as a signal repeater or amplifier so that further lengths of tape can be added to the controlled "incoming" length of tape and all colours will be repeated across both tapes.

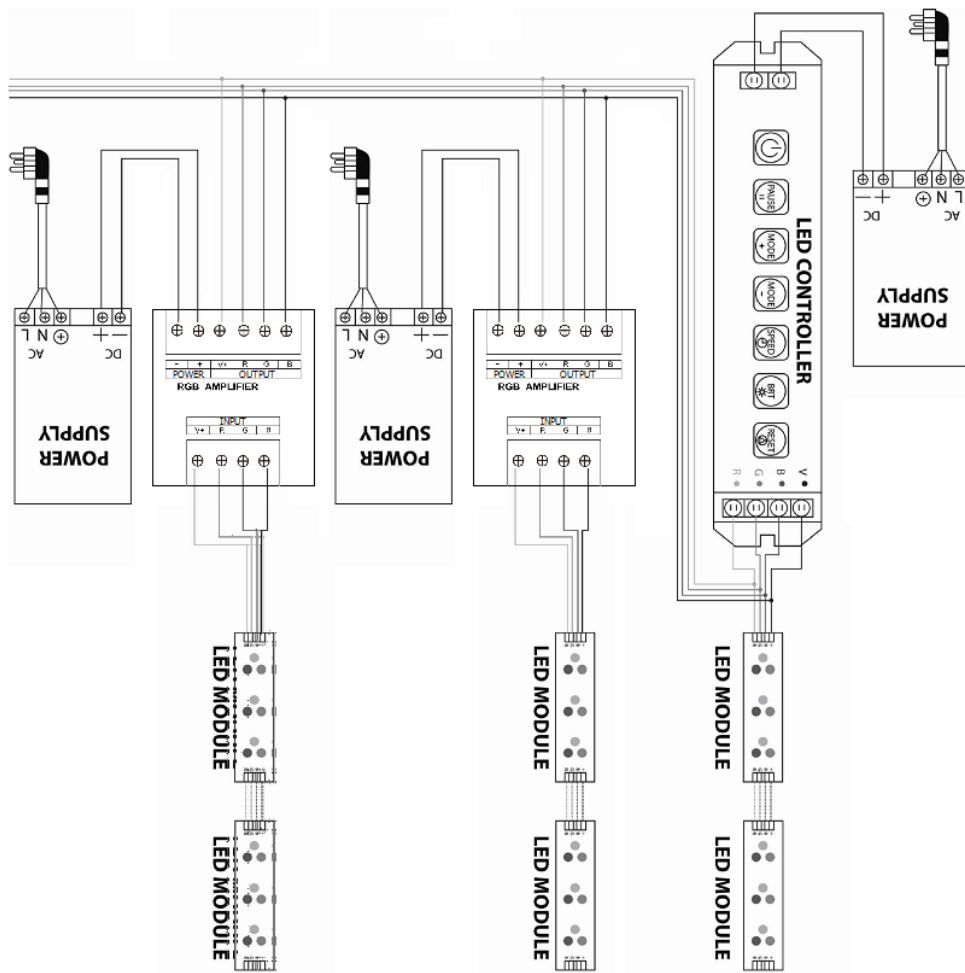
Setting up

- Connect the Blue, Red, Green and Voltage+ connections at the end of the incoming tape to the B, R, G and + screw terminals labeled "INPUT"
- Connect the Blue, Red, Green and Voltage+ connections at the beginning of the continuation tape to the B, R, G and + screw terminals labeled "OUTPUT"
- Connect an appropriate DC power supply for the LED tapes (either 12V or 24V) to the screw terminals labelled "POWER"

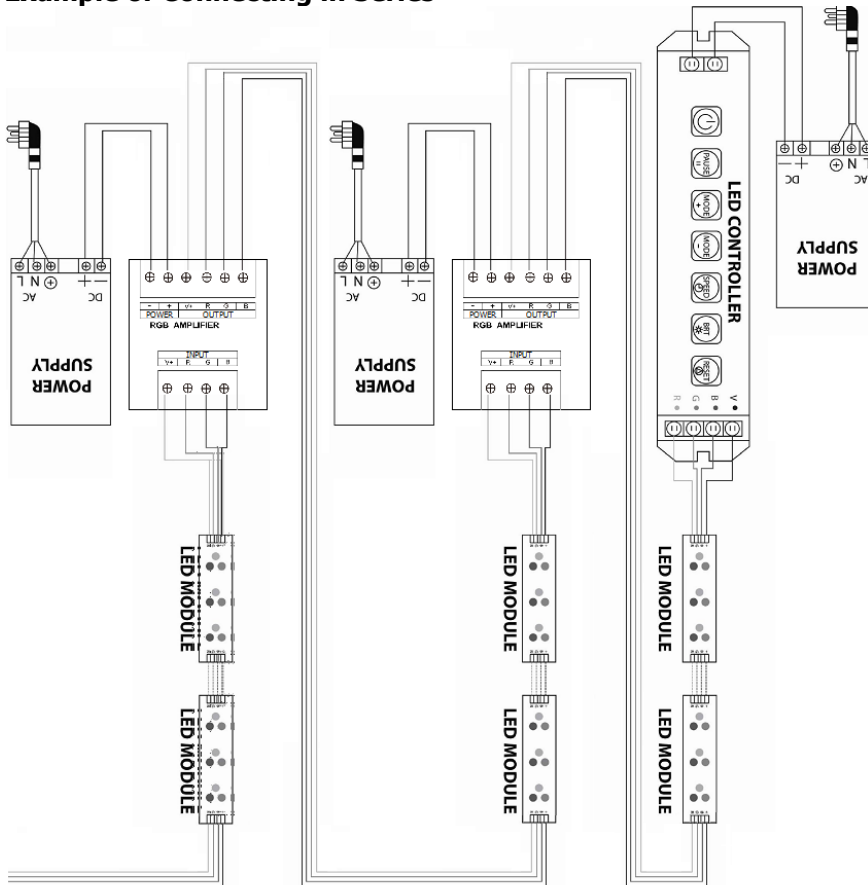


- | | |
|-----------|--|
| 1. POWER | 12Vdc or 24Vdc power supply connection |
| 2. OUTPUT | Blue, Red, Green and Voltage+ connections to continuation LED tape |
| 3. INPUT | Blue, Red, Green and Voltage+ connections from incoming LED tape |

Example of Connecting in an Array Format



Example of Connecting in Series



Specifications

Voltage	12/24Vdc
Working temperature	-20°C - 65°C
Max current per channel	10A
Dimensions	91 x 81 x 25mm
Weight	211g



Disposal: The "Crossed Wheelie Bin" symbol on the product means that the product is classed as Electrical or Electronic equipment and should not be disposed with other household or commercial waste at the end of its useful life. The goods must be disposed of according to your local council guidelines.

*Errors and omissions excepted.
Copyright© 2017. AVSL Group Ltd.*