

**DDL12**  
**Dimmable LED Dome Light**

156.081UK, 156.082UK



DDL12 dimmable LED dome lights are designed for surface mounting in the home or workplace and provide comfortable, wide angle illumination with minimal glare. The following installation instructions are provided to help achieve the best results when fitting these luminaires to a ceiling or wall. Please read and keep this leaflet for future reference.

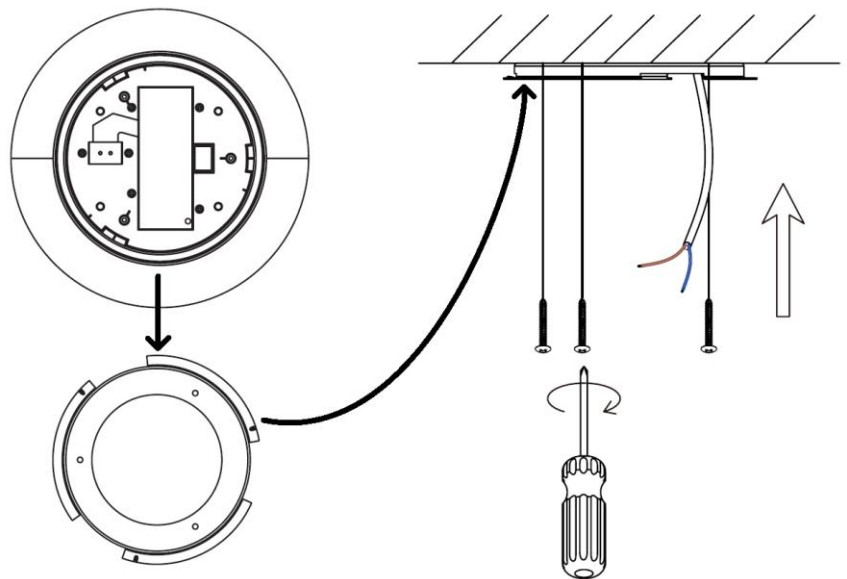
The DDL12 can be connected to a standard light switch or controlled by a dimmer switch.

The DDL12 is compatible with most TRIAC-based dimmer circuits but it is worth ensuring that the dimmer being used is suitable for use with LEDs and can control loads as low as 12W

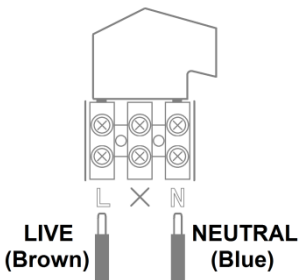
**Installation**

Before proceeding with installation, ensure that the mains to be connected is switched off and isolated. Remove the mounting ring from the top of the DDL12 housing by rotating anti-clockwise (using a screwdriver if needed).

Offer the mounting ring up to the ceiling or wall with the mains wire through the centre and mark out the screw holes when positioned correctly. Drill and plug these for a masonry surface or in the case of drywall or timber surfaces, screw directly through into the ceiling or wall, ensuring that the mounting ring is securely fixed flush to the surface.



**Connection**



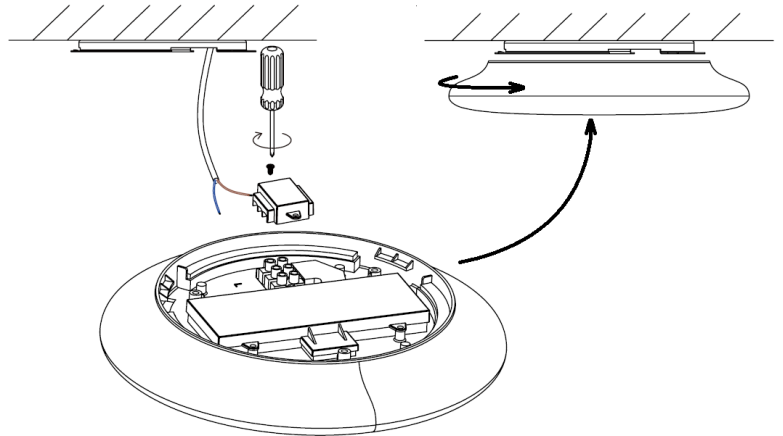
Remove the connection block cover by undoing 2 screws to reveal a 3-way terminal block. The Left and Right terminals are marked L and N respectively (the centre terminal is not required).

Strip the mains wires back approximately 8mm and connect the LIVE wire to L and NEUTRAL wire to N, screwing down securely in the terminal block. There is no requirement for an earth connection, since the housing is class II double-insulated.

## Fitting

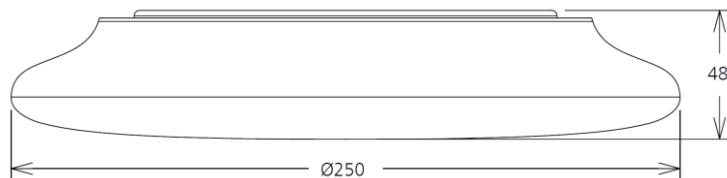
Once the mains wires are firmly connected and secured, replace the terminal block cover and offer the DDL12 up to the mounting ring. Turn the luminaire until the tabs slip into the gaps in the mounting plate and then turn clockwise to lock the housing to the mounting ring.

The DDL12 should be flush to the surface and securely fastened in place with no wiring visible. Once installed, power up the mains to ensure that the connections are made properly and the luminaire is operating as required.



## Specifications

Model	DDL12-N	DDL12-C
CCT	4000K (neutral white)	6000K (cool white)
Total luminous flux	1055lm	1045lm
Luminous efficacy	88lm/W	87lm/W
Power supply	230Vac, 50Hz	
Input current	70mA	
Power consumption	12W	
Energy consumption	12kWh/1000h	
Power factor (230V, 50Hz)	≥0.9	
Output voltage	60-75Vdc	
Output current	150mA	
Protection	Short-circuit, over-voltage, temperature	
Dimming control	Triac dimmable, 8 - 100%	
Beam angle	120°	
Colour rendering index (CRI, Ra)	≥80	
LED type	Epistar™ SMD2835	
LED quantity	192	
LED lifespan	40,000 hours	
Housing material	Polycarbonate (steel mounting plate)	
Fire rating	UL94-V0	
IP rating	IP40	
Operating temperature range	-20 to +45°C	
Operating humidity range	0 - 90%	
Dimensions	48 x 250mmØ	
Weight	670g	



This product is classed as Electrical or Electronic equipment and should not be disposed with other household or commercial waste at the end of its useful life. The goods must be disposed of according to your local council guidelines.