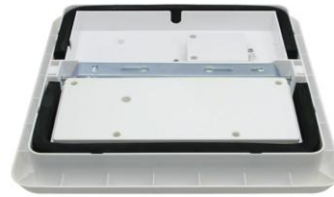


WDL12
IP54 LED Ceiling Light

156.091UK, 156.092UK



WDL12 ceiling lights are designed for surface mounting in humid environments and provide comfortable illumination in a low profile design. The following installation instructions are provided to help achieve the best results when fitting these luminaires to a ceiling or wall. Please read and keep this leaflet for future reference.

The IP54 rating means that these fittings are resistant to dust and water spray, although care should be taken not to expose the housing to steam or corrosive vapours.

Installation

Before proceeding with installation, ensure that the mains to be connected is switched off and isolated. Remove the mounting bar from the top of the WDL12 housing by unfastening the 2 screws in the sides of the housing.

Offer the mounting bar up to the ceiling or wall with the mains to one side of its centre and mark out the screw holes when positioned correctly.

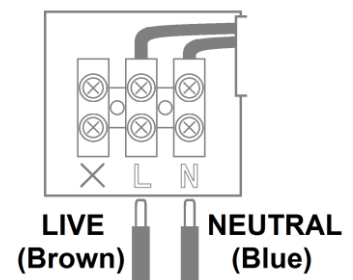
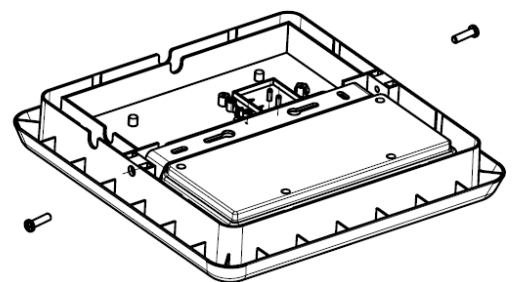
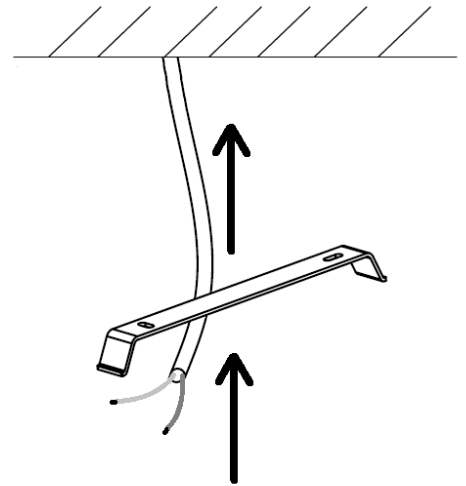
Drill and plug these for a masonry surface or in the case of drywall or timber surfaces, screw directly through into the ceiling or wall, ensuring that the mounting bar is securely fixed flush to the surface.

Connection

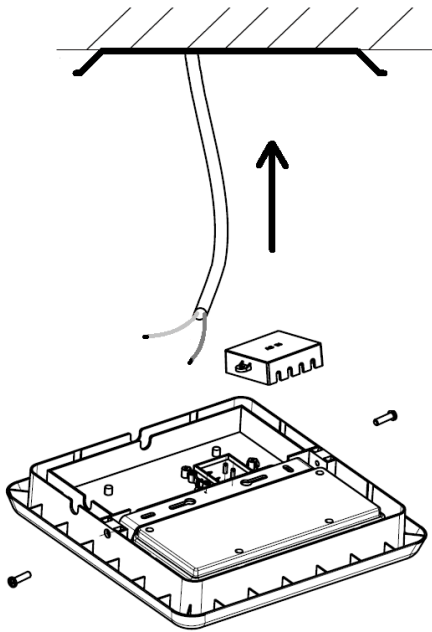
Remove the connection block cover marked "AC IN" by undoing 3 screws to reveal a 3-way terminal block. The Centre and Right terminals are marked L and N respectively (the left terminal, marked "A" is not required).

Strip the mains wires back approximately 8mm and connect the LIVE wire to L and NEUTRAL wire to N, screwing down securely in the terminal block.

There is no requirement for an earth connection, since the housing is class II double-insulated.

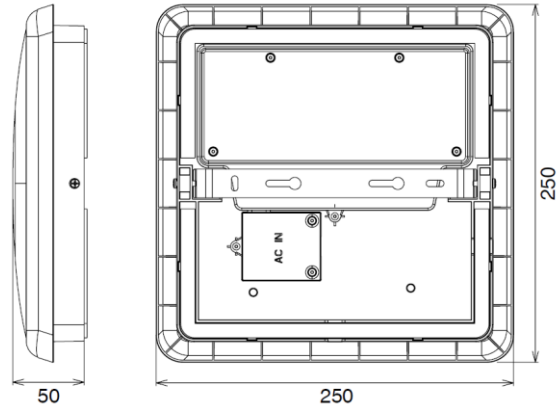


Fitting



Once the mains wires are firmly connected and secured, replace the terminal block cover and locate the WDL12 onto the mounting bar. Ensure that the mains wires are not trapped or protruding and fasten the 2 retaining screw into each side to secure the fitting onto the mounting bar.

The WDL12 should be flush to the surface and securely fastened in place with no wiring visible. Once installed, power up the mains to ensure that the connections are made properly and the luminaire is operating as required.



Specifications

Model	WDL12-N	WDL12-C
CCT	4000K (neutral white)	6000K (cool white)
Total luminous flux	1000lm	990lm
Luminous efficacy	83lm/W	82m/W
Power supply	230Vac, 50Hz	
Input current	70mA	
Power consumption	12W	
Energy consumption	12kWh/1000h	
Power factor (230V, 50Hz)	≥0.9	
Output voltage	60-75Vdc	
Output current	150mA	
Protection	Short-circuit, over-voltage, temperature	
Dimming control	Non-dimmable	
Beam angle	120°	
Colour rendering index (CRI, Ra)	≥80	
LED type	Epistar™ SMD2835	
LED quantity	264	
LED lifespan	40,000 hours	
Housing material	Polycarbonate (steel mounting plate)	
IP rating	IP54	
Operating temperature range	-20 to +45°C	
Operating humidity range	0 - 90%	
Dimensions	50 x 250 x 250mm	
Weight	800g	



This product is classed as Electrical or Electronic equipment and should not be disposed with other household or commercial waste at the end of its useful life. The goods must be disposed of according to your local council guidelines.

Errors and omissions excepted.

Copyright© 2016. LYYT

AVSL.COM