



UNDER BED LIGHT KIT

156.731UK

User Manual

Introduction:

Thank you for purchasing the Lyyt Under Bed Light Kit. The kit is based around our IP65 LED tape, which provides an even linear light output, ideal for lighting under pelmets, ledges and furniture such as beds, kitchen cabinets and kick boards.

Before starting, please read this instruction leaflet carefully.

If you are unsure about any of the installation details, please have this installed by a competent installer.

Blister Contents:

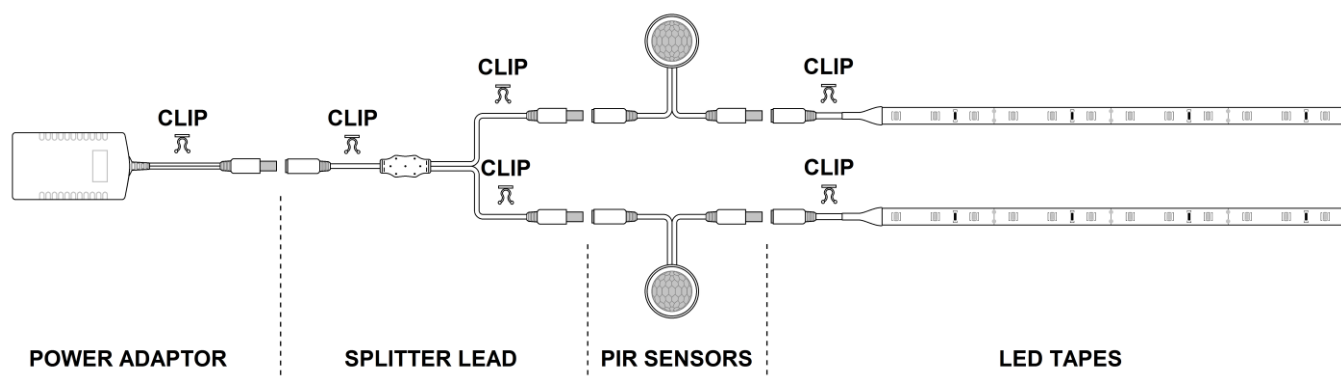
- 1 x UK power adaptor
- 1 x splitter lead
- 2 x reels of LED tape
- 2 x PIR motion detectors
- 6 x self-adhesive cable twist clips

Installation

The LED tape is supplied in 2 x 1.5m reels and should be fitted to the underside edge of each side of the bed or cabinet plinth. The tape may be cut to length at 5cm intervals, marked by a "scissors" symbol on the tape itself. Disconnect the power before cutting.

Ensure that there is enough gap for the light to emit from the tape to the surrounding area and that it is not obscured by covers or a valance.

Note: It is advisable to lay out the kit in a temporary state before fixing permanently to ensure correct operation. Please refer to the diagram below for the connection sequence.



The LED tape is self-adhesive for attaching to clean, non-porous surfaces.

If the adhesive does not hold due to the surface material, it may be necessary to add another fixing method such as clips, cable ties or adhesive.

Each LED tape should be connected to one of the PIR detectors, which should be positioned to detect movement near to the bedside or cabinet. Connection is via DC jack for convenience.

Rotate the rear cover of each PIR and remove before fitting to reveal the timer control, which can be set as required (see below) Experiment with temporary positioning before committing to securing the PIRs either by the self-adhesive pads or with screws. Fit the rear cover to the chosen area and locate and twist the PIR onto it.

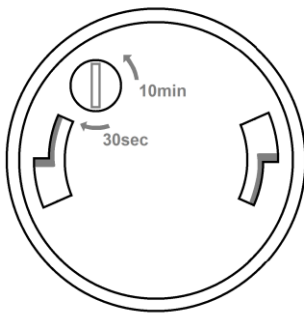
Each PIR should be connected to a DC plug from the splitter and the DC jack socket from the splitter should be connected to the power adaptor.

Connect the power adaptor to a mains outlet for checking the function.

The LED tapes should light when movement is detected by each PIR independently.

Once the function is satisfactory, fix each part permanently and use the self-adhesive twist clips to keep the cables tidy and avoid trip hazards.

PIR Time Adjustment



Each PIR has individual time adjustment on the rear of the sensor.

To access this, rotate the front of the PIR a few degrees anti-clockwise against its rear cover and pull apart.

On the rear of the sensor is a small dial with markings for "30sec" and "10min"

Turn towards "10min" to increase the time that the LEDs stay on when activated.

Likewise, turning the dial towards "30sec" will reduce the time that the LEDs stay on.

Replace the sensor onto its rear cover by locating onto the bayonet slots and rotating it to fix in place.

Note: The LED tapes can also be used without the PIR motion sensors if required by connecting directly to the power adaptor via the splitter lead. Alternatively, both LED tapes can be controlled by a single PIR if it is connected between the power adaptor and splitter lead.

Notes on Installation

- If cutting to length, cut only at the points indicated by the "scissors" symbol at 5cm intervals
- Use only the power adaptor supplied with the kit or a genuine replacement
- Do not connect additional LED tape to the kit, since the power adaptor is designed to run no more than the tape supplied
- The LED tape is IP65 water-resistant but all other parts should be protected from moisture if necessary.
- If the LEDs stay on too long or too short a time after activation, time adjustment can be made on the rear of each PIR.
- If fitting in sections, the tape can be cut at 5cm intervals and soldered "+" to "+" and "-" to "-" with cable.

Specifications

Power supply	12Vdc, 2000mA (mains adaptor included)
LED length	2 x 1.5m
Number of LEDs	180 (60 per metre)
Beam angle	130° - 150°
Cut intervals	5cm
IP rating	IP65 (tape only)
Cross-section	8.15 x 2.76mm (LED tape)
Time setting	30s - 10min (PIR)
LED colour	Warm white 3000K
Dimensions (packed)	255 x 225 x 80mm
Weight (per set)	545g