

CX-9004

SPEAKER CABINET

Order ref: 170.214

User Manual



Full range speaker enclosure made from premium Russian ply with custom drive units giving a wide bandwidth and smooth response for all styles of programme material.

Multiple flying points are fitted as standard for ease of installation and integration into arrays.

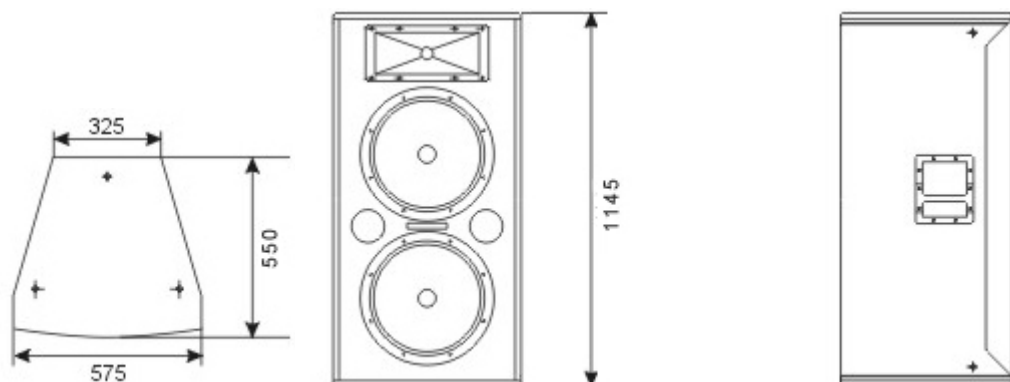
Computer-aided design for optimal tuning of enclosures delivering efficient output and bottom end response with strategic bracing to reduce resonance and improve projection.

- Durable textured black paint finish
- 12 x M10 flying points
- Powder-coated steel grille lined with dust filter
- Active electronic protection fitted to prevent overload to H.F. units
- Crossovers optimized for balanced integration of drivers
- Speakon® connectors fitted
- 35mm pole mount socket
- All fittings rebated for easier stacking and arraying
- Steel bar handles fitted as standard

Specifications

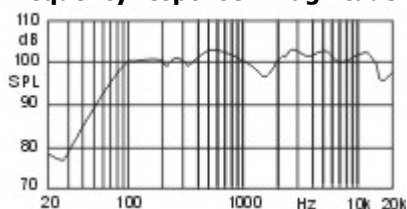
Power RMS	900W
Power Max	1300W (5 minutes max)
LF drivers	2 x 380mmØ (15")
HF driver	Compression driver with 72mmØ titanium diaphragm
Impedance	4Ω
Frequency response (-3dB)	50Hz - 18KHz
Frequency response (-10dB)	40Hz - 18KHz
Sensitivity (1W/1m)	100dB
Dispersion (H x V)	90° x 60°
Connectors	2 x Speakon® (NL 4)
Dimensions	1145 x 575 x 550mm
Weight	65kg

Technical drawings

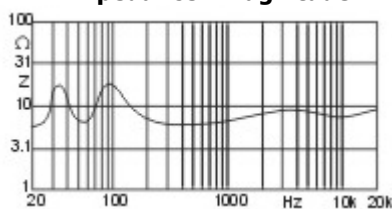


Technical Diagrams

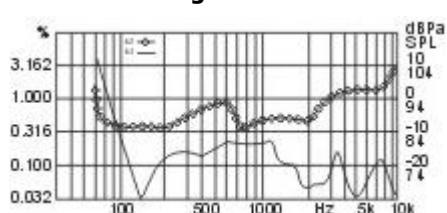
Frequency response - Magnitude



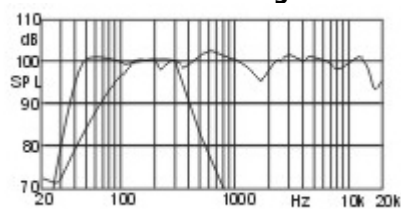
Impedance - Magnitude



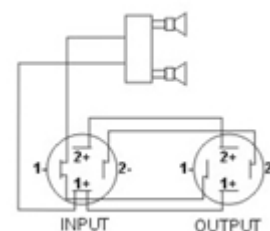
Distortion - Magnitude



Combination - Magnitude



Connection



Errors and omissions excepted.
Copyright© 2012. AVSL Group Ltd.