

NUX

STOMPBOX



©Cherub Technology Co., Ltd.

All Rights Reserved. No part of this publication may be reproduced, stored in a retrieval system, or transmitted, in any form or by any means, electronic, mechanical, photocopying, recording, or otherwise, without the prior written permission of Cherub Technology Co., Ltd.

User's Manual



Made in China



Copyright

Copyright 2023 Cherub Technology Co. All rights reserved. NUX and Mod Core Deluxe MKII are trademarks of Cherub Technology Co. Other product names modeled in this product are trademarks of their respective companies that do not endorse and are not associated or affiliated with Cherub Technology Co.

Accuracy

Whilst every effort has been made to ensure the accuracy and content of this manual, Cherub Technology Co. makes no representations or warranties regarding the contents.

WARNING!-IMPORTANT SAFETY INSTRUCTIONS BEFORE CONNECTING, READ INSTRUCTIONS

WARNING: To reduce the risk of fire or electric shock, do not expose this appliance to rain or moisture.

CAUTION: To reduce the risk of fire or electric shock, do not remove screws. No user-serviceable parts inside. Refer servicing to qualified service personnel.

CAUTION: This equipment has been tested and found to comply with the limits for a Class B digital device pursuant to Part 15 of FCC Rules. Operation is subject to the following two conditions: (1) This device may not cause harmful interference, and (2) this device must accept any interference received, including interference that may cause undesired operation.



The lightning symbol within a triangle means "electrical caution!" It indicates the presence of information about operating voltage and potential risks of electrical shock.



The exclamation point within a triangle means "caution!" Please read the information next to all caution signs.

1. Use only the supplied power supply or power cord. If you are not sure of the type of power available, consult your dealer or local power company.
2. Do not place near heat sources, such as radiators, heat registers, or appliances which produce heat.
3. Guard against objects or liquids entering the enclosure.
4. Do not attempt to service this product yourself, as opening or removing covers may expose you to dangerous voltage points or other risks. Refer all servicing to qualified service personnel.
5. Refer all servicing to qualified service personnel. Servicing is required when the apparatus has been damaged in any way, such as when the power supply cord or plug is damaged, liquid has been spilled or objects have fallen into the apparatus, the apparatus has been exposed to rain or moisture, does not operate normally or has been dropped.
6. The power supply cord should be unplugged when the unit is to be unused for long periods of time.
7. Protect the power cord from being walked on or pinched particularly at plugs, convenience receptacles and at the point where they exit from the apparatus.
8. Prolonged listening at high volume levels may cause irreparable hearing loss and/or damage. Always be sure to practice "safe listening".

Follow all instructions and heed all warnings
KEEP THESE INSTRUCTIONS!

Overview

The NUX MOD CORE DELUXE MKII is a modulation pedal with 8 different modulation types including ST.CH (Stereo Chorus), CE-1, SCF CHO, SCF FLG, SCF P.M., U-VIBE CHO, U-VIBE VIB and PH-100. You can switch the mod types by way of the rotary switch.

The MOD CORE DELUXE MKII offers advanced signal routing with the included Send and Return. Easily split the mono signal to create customized effect loops! Additionally, you can parallel the 2 signals, and use the Tweak knob in Alt mode to blend the signals. Use the 3-way toggle switch to the desired position, and you are good to go.

Note: Please follow the connections, the relay will offer you correct sound with correct applications.

ST.CH (Stereo Chorus) is inspired by the MXR® Stereo Chorus, which is gorgeous sounding. We've consolidated the controls by eliminating the bass and treble knobs, now internally set at middle position, and we've eliminated the need for the bass filter altogether, which is now automatically corrected through the advancements of Core-Image™ sound modeling.

CE-1 is based on the legendary BOSS® CE-1 which was the first chorus effect pedal on the scene in 1976. Before that, it was only available as a built-in effect on a classic jazz amplifier. MOD CORE DELUXE MKII exactly replicates the characteristic of this pedal; that special warmth of a rich jazz atmosphere, an immediate recognizable highlight to any musician's tone.

SCF tributes to TC Electronics' Stereo Chorus Flanger, one of the best modulation pedals ever made since 1976.

SCF CHO: A chorus is basically a pitch generator which mixes multiple delay signals. When the multiple delay signals are mixed with the original signal, a soft and wide sounding modulation effect is created.

SCF FLG: A flanger is based on the same principle as a chorus, although here the signal can be regenerated (like adding feedback on a delay) creating a more distinctive sounding effect.

SCF P.M.: A combination of chorus and pitch vibrato which creates a "light" chorus sound.

U-VIBE is inspired by Dunlop® Uni-Vibe® for its stunning sound. Old-school Uni-vibe delivered its huge 3D sound by simulating the physical Rotating Speaker Effect; that beautiful and unforgettable sound easily associated with Hendrix's bending facial expressions in his 60s stage performances.

U-VIBE CHO: Depth will change the depth of the sweeping effect.

U-VIBE VIB: Depth will change the degree of pitch modulation.

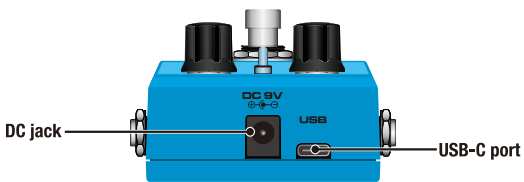
PH-100 is based on MXR® PHASE 100 which has both a Speed control and a 4-waveform Intensity control, the Phase 100 offers a broad range of sounds.

Operation

Control Panel



I/O Jacks



RATE knob



Adjusts the speed.

DEPTH knob



Adjusts the sweep range.

Modulation Type knob



Selects the type of modulation.

Note: PH-100's original reference only has 2 parameters, so the Tweak knob has no function in PH-100 model.

TWEAK knob



In ST.CH / CE-1 / SCF CHO / SCF FLG / SCF P.M. / U-VIBE CHO / U-VIBE VIB modes, Tweak knob adjusts the mix level of modulation. In PH-100, cause the original reference doesn't have mix level, the Tweak knob has no function.

Under advanced routing, while the toggle switch is at // (parallel) position. You can press and hold the footswitch to enter to Alt mode. The Tweak knob becomes Blend function to adjust the mixing rate of Modulation effect signal and Send/Return signal. (Counterclockwise gets more Send/Return signal, clockwise gets more Modulation signal.)

Toggle switch



Note: The toggle switch only works in advanced routing. (For normal routing, the toggle switch has no function.)

Toggle the switch to desired position to choose the routing. PRE means Modulation effect goes before the Send/Return loop. // (Parallel) means Modulation effect and Send/Return loop are parallel. POST means

Modulation effect goes after the Send/Return loop. You can check the Connections to experience the magic of routing.

Footswitch & FS Indicator



Press once to engage/disengage the effect. Press twice, it will become Smart Tap Tempo. The Rate is related to tap tempo. (The FS indicator will flash as current BPM.)

While the effect is engaged, the FS indicator will show "Red". While the effect is disengaged, the FS indicator will turn off.

Note: The tap tempo range is 50~200 BPM.

In advanced routing with // (parallel) mode, press and hold the footswitch to enter to Alt mode. The LED indicator will flash ORANGE. The Tweak knob becomes Blend parameter, counterclockwise to increase Send/Return loop signal, clockwise to increase Modulation effect. Short press the footswitch to quit Alt tweaking.



DC jack



9V Negative Tip power with more than 150mA. (The power consumption is less than 120mA.)

USB-C port



The USB-C port is for firmware update. Connect USB cable to a PC and hold the footswitch to boot-up the device and to enter the DFU (Device Firmware Update) mode. Once connected you can do firmware updates using DFU updater software.

You can download the related firmware and firmware update guide from product page.

IN jack



The audio inputs on the right side of this pedal are standard 1/4" jacks (mono/TS). Connect your guitar to the In (mono) audio input on the right side of your pedal using a regular 1/4" instrument cable.

For the Mono/Stereo connection applications, please check the Connections.

RETURN jack



In advanced routing, connect the Pre-effects like OD/Dist output to the Return jack.

For the advanced routing, please check the Connections.

OUT jacks



OUT 1



SEND /
OUT 2

Normal routing:

The audio outputs on the left side of this pedal are standard 1/4" jacks (mono/TS). Connect the audio output of Out 1 to the next device in the signal chain, either with a single cable or with a pair of 1/4" cables if both Out 1 and Out 2 are used.

For the Mono/Stereo connection applications, please check the Connections.

Advanced routing:

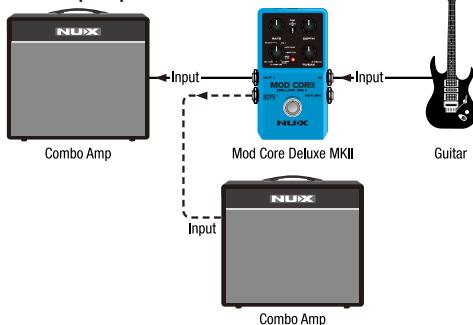
Out 1 sends the modulation effect out. Send out sends the loop signal out.

For the advanced connection applications, please check the Connections.

Connections

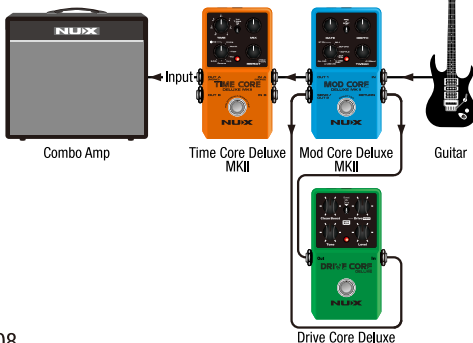
1. Normal routing: (In this connection, the toggle switch has no function.)

To the amp's input.



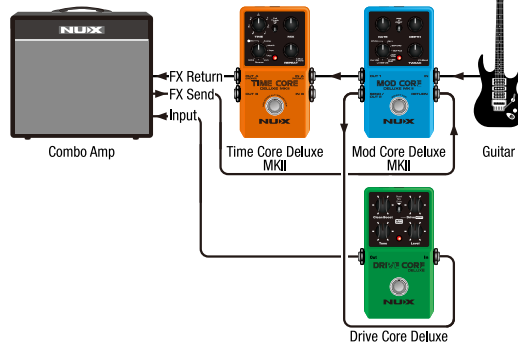
2. Advanced routing: (You can assign PRE, // PARALLEL, POST through the toggle switch.)

In line.



Connections

In the amp's FX loop.



Features

- 8 modulation types in the compact enclosure.
- ST.CH (Stereo Chorus), CE-1, SCF CHO, SCF FLG, SCF P.M., U-VIBE CHO, U-VIBE VIB and PH-100.
- ST.CH is based on MXR® Stereo Chorus.
- CE-1 is based on BOSS® CE-1.
- SCF is based on TC Electronic® SCF Stereo Chorus Flanger.
- U-VIBE is based on Dunlop® UV-1 Uni-Vibe Chorus / Vibrato.
- PH-100 is based on MXR® Phase 100.
- Normal routing (mono out or stereo out) and advanced routing (PRE, //, POST).
- Parallel routing offers Blend parameter. (Alt tweaking, Tweak becomes Blend parameter.)
- Smart Tap Tempo. (50~200 BPM)
- Low power consumption. (less than 120mA)
- Analog dry signal for low noise and zero latency.

Specifications

- Input Impedance: 1M Ω
- Output Impedance: 1k Ω
- Dynamic Range: 104 dB
- DSP Processing: 48kHz / 32-bit
- A/D D/A Sampling Rate: 48kHz / 24-bit
- Power: 9V DC(Negative tip, Optional ACD-006A adapter)
- Current Draw: 120mA
- Dimensions: 122mm(L) x 72mm(W) x 47mm(H)
- Weight: 270g

* Specification may change without notice.

Accessories

- Owner's manual
- Warranty card
- NUX sticker

Warning

To reduce the risk of fire or electric shock, do not expose this appliance to rain or moisture.

FCC Warning

This device complies with part 15 of the FCC Rules. Operation is subject to the following two conditions: (1) this device may not cause harmful interference, and (2) this device must accept any interference received, including interference that may cause undesired operation.

Any changes or modifications not expressly approved by the party responsible for compliance could void the user's authority to operate the equipment.

Note: This equipment has been tested and found to comply with the limits for a Class B digital device, pursuant to Part 15 of the FCC Rules. These limits are designed to provide reasonable protection against harmful interference in a residential installation. This equipment generates, uses and can radiate radio frequency energy and, if not installed and used in accordance with the instructions, may cause harmful interference to radio communications. However, there is no guarantee that interference will not occur in a particular installation.

If this equipment does cause harmful interference to radio or television reception, which can be determined by turning the equipment off and on, the user is encouraged to try to correct the interference by one or more of the following measures:

- Reorient or relocate the receiving antenna.
- Increase the separation between the equipment and receiver.
- Connect the equipment into an outlet on a circuit different from that to which the receiver is connected.
- Consult the dealer or an experienced radio/TV technician for help. The device has been evaluated to meet general RF exposure statement. The device can be used in portable exposure condition without restriction.

The device has been evaluated to meet general RF exposure requirement. The device can be used in portable exposure condition without restriction.

©Cherub Technology Co., Ltd.

All Rights Reserved. No part of this publication may be reproduced, stored in a retrieval system, or transmitted, in any form or by any means, electronic, mechanical, photocopying, recording, or otherwise, without the prior written permission of Cherub Technology Co., Ltd.

产品简介

MOD CORE DELUXE MKII是一款调制效果单块效果器。它搭载了8款不同的调制效果，包括ST.CH (Stereo Chorus)，CE-1，SCF CHO，SCF FLG，SCF P.M.，U-VIBE CHO，U-VIBE VIBI以及PH-100。您可以转动TYPE旋钮来切换所需调制效果。

MOD CORE DELUXE MKII的SEND/RETURN效果回路可以为您提供多样化的效果器组合信号链（高级连接模式）。使用MOD CORE DELUXE MKII您可以轻松获得两路单声道信号来组建自定义效果回路。此外，您还可以将两路信号并联然后在ALT模式下使用TWEAK旋钮来将其混合（Blend）。拨动三段拨档开关，选择一种模式即可开始探索专属于您的音色。

注：更多关于多样化的效果器组合信号链，请参考连接场景部分。

ST.CH (Stereo Chorus) 基于MXR® Stereo Chorus，我们取消了原型机上的BASS和TREBLE旋钮来整合控制，默认将这两个参数置中。另外，我们还彻底摆脱了原型机对低频滤波器的依赖，因为我们引以为傲的Core-Image™建模技术可以进行自动修正。

CE-1基于传奇的BOSS® CE-1，发布于1976年。它被普遍认为是第一款独立存在的合唱效果器。在此之前，合唱效果只存在于一款经典的爵士乐音箱里。MOD CORE DELUXE MKII精准地还原了CE-1的特性——具有浓厚爵士氛围的特殊柔和效果。

SCF致敬TC Electronic的Stereo Chorus Flanger，自1976年以来最佳的调制效果器之一。

SCF CHO一种特殊的合唱效果，本质上是一个混合了多个延迟信号的音高发生器，当多个延迟信号与原始信号混合时，会产生一种柔和而宽广的调制效果。

SCF FLG远离几乎与SCF CHO一致，不同点在于SCF FLG信号可以再生（像是在延迟信号上增加反馈）从而产生一种更独特的音色效果。

SCF P.M. 一种轻度合唱效果，融合了合唱及音高颤动。

U-VIBE基于Dunlop®Uni-Vibe®。老派的Uni-Vibe通过模拟真实的旋转

喇叭来实现宏大的3D音效，这种美妙且令人难以忘怀的声音很难不让人联想到60年代Hendrix在舞台上演出时沉醉的面部表情。

U-VIBE CHO: DEPTH旋钮控制扫频的深度。

U-VIBE VIB: DEPTH旋钮控制音高调制程度。

PH-100基于MXR® PHASE 100，它同时具有速度控制以及4波形强度控制，PHASE 100音色可调范围极广。

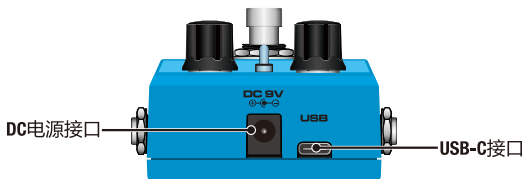
*本说明书中所提及的产品名称、注册商标和公司名称属于其各所有者，与纽克斯效果器或深圳市蔚科电子科技有限公司无任何关联或附属关系。提及仅用于功能或特性说明，而非侵犯其各所有者的各项权利。

操作说明

控制面板



接口



RATE旋钮



调节效果速度。

RATE

DEPTH旋钮



调节扫频范围。

DEPTH

TYPE旋钮



选择效果类型。

注意：PH-100原型机仅有两个可调参数，当效果类型为PH-100时，TWEAK旋钮不工作。

TWEAK旋钮



除PH-100外，TWEAK旋钮调节其它效果的干湿比例。

当MOD CORE DELUXE MKII处于高级连接模式且三段拨挡开关处于并联 (//parallel) 位置时，您可以踩住踩钉来激活ALT模式。ALT模式下，TWEAK旋钮用于调节当前调制效果信号与SEND/RETRUN效果回路信号的混合比。顺时针方向转动增强调制效果信号，反之则增强SEND/RETURN效果回路信号。

三段拨挡开关



三段拨挡开关只在高级连接模式时工作。

高级连接模式下，拨动此开关来选择一种信号输出方式。

- PRE档—调制效果信号在前，SEND/RETRUN效果回路信号在后。
- //档—调制效果信号与SEND/RETURN效果回路信号并联。
- POST档—SEND/RETRUN效果回路信号在前，调制效果信号在后。

踩钉及踩钉指示灯



踩一次可以激活或关闭效果器。当效果器处于激活状态时，踩钉LED指示灯会呈红色常亮状态；反之，踩钉LED指示灯熄灭。

以需要的速度连续地踩踩钉可激活智能“打点设速”设置效果速度。踩钉LED指示灯会以设置好的速度闪烁。打点设速的范围为：50~200 BPM。

当MOD CORE DELUXE MKII处于高级连接模式且三段拨档开关处于并联 (//parallel) 位置，您可以踩住踩钉来激活ALT模式。ALT模式下踩钉LED指示灯呈橘黄色闪烁状，TWEAK旋钮用于调节当前调制效果信号与SEND/RETRUN效果回路信号的混合比。顺时针方向转动增强调制效果信号，反之则增强SEND/RETURN效果回路信号。



DC 9V接口



请使用合格的、输出接口极性为内负外正的9V电源适配器为本品供电。我们建议您选配NUX ACD-006A电源适配器，因为使用不兼容的电源适配器可能会引起噪音甚至功能故障。

USB-C接口



USB-C数据交换接口。请使用合格的USB-C数据线将本品连接至您的电脑进行固件更新，产品新固件、固件更新指南请移步至我司官网Mod Core Deluxe MKII产品页面查询及下载。

IN接口



6.35mm单声道输入接口，高级连接模式请参考连接场景部分。

RETURN接口



高级连接模式下，连接过载或失真类效果器，详情请参考连接场景部分。

输出接口



OUT 1



SEND/OUT 2

普通连接

普通连接模式下，您可以根据需要使用一根单声道6.35mm乐器连接线连接至OUT 1接口或者使用一对单声道6.35mm乐器连接线连接至OUT 1和SEND/OUT 2接口，详情请参考连接场景部分。

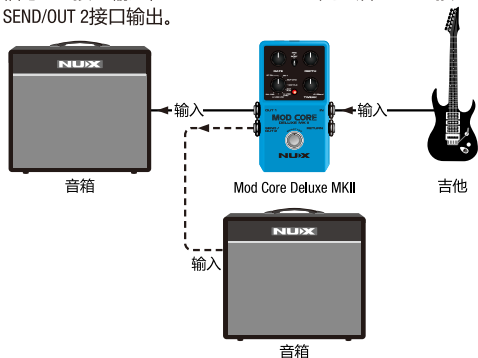
高级连接

高级连接模式下，OUT 1接口输出调制效果信号，SEND/OUT 2接口输出效果回路信号，详情请参考连接场景部分。

连接场景

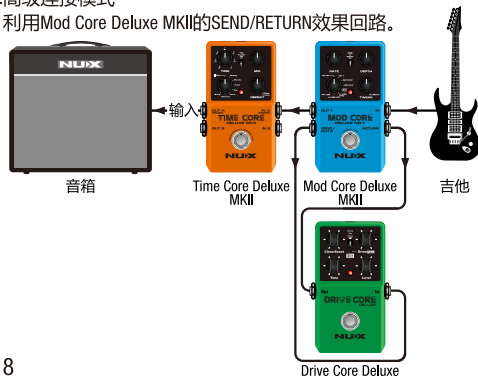
1. 普通连接模式

信号经IN接口输入，Mod Core Deluxe MKII处理后经OUT 1接口以及SEND/OUT 2接口输出。



2. 高级连接模式一

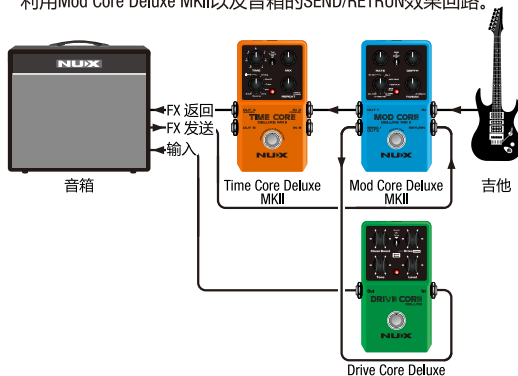
利用Mod Core Deluxe MKII的SEND/RETURN效果回路。



连接场景

3. 高级连接模式二

利用Mod Core Deluxe MKII以及音箱的SEND/RETRUN效果回路。



产品特点

- 集8种经典调制效果于一体。
- ST.CH基于MXR® Stereo Chorus。
- CE-1基于BOSS® CE-1。
- SCF基于TC Electronic® SCF Stereo Chorus Flanger。
- U-VIBE基于Dunlop® UV-1 Uni-Vibe Chorus / Vibrato。
- PH-100基于MXR® Phase 100。
- 具有普通及高级两种连接模式。
- 智能打点设速 (Smart Tap Tempo 50 ~ 250 BPM) 。
- 低功耗 (需求电流小于120mA) 。
- 低噪声、零延迟模拟干信号。

技术规格

- 输入阻抗: 1MΩ
- 输出阻抗: 10kΩ
- 动态范围: 104dB
- 数字音频信号处理: 48kHz / 32-bit
- A/D转换D/A转换: 48kHz / 24-bit
- 电源: 9V交流适配器 (内负外正, 建议选配NUX ACD-006A)
- 需求电流: 120mA
- 产品尺寸: 122mm(L) x 72mm(W) x 47mm(H)
- 重量: 270克

*技术规格如有变更恕不另行通知。

随机附件

- 使用手册
- 保修卡
- NUX贴纸

售后服务地址

广东省珠海市高新区唐家湾镇科技九路10号 邮编:519085
珠海市蔚科科技发展有限公司 售后服务部

合格证

Certificate

检验员
Inspector

生产日期
Date

本产品经检验合格
This product is inspected and approved.

名称
Name

型号
Type

数字调制单块效果器

Mod Core Deluxe MKII

执行标准: 0/WKDZ 001-2020
Product is certificated with 0/WKDZ 001-2020

制造商: 深圳市蔚科电子科技有限公司 制造地址: 深圳市南山区松口兴华路8号南海壹楼1号楼507 电话: 0755-2686 9866
网址: www.nuxfm.com 生产商: 珠海市蔚科科技发展有限公司 生产地址: 珠海市高新区唐家湾镇科技九路10号 电话: 0756-3689 866

有关产品中所含有害物质的说明

为了控制和减少电器电子产品废弃后对环境造成的污染, 本资料就本公司产品中所含的特定有害物质及其安全性予以说明。

本资料适用于2016年7月1号以后本公司所制造的产品。

环保使用期限



此标志适用于在中国国内销售的电子信息产品, 表示环保使用期限的年数。所谓环保使用期限是指在制造日起的规定的期限内, 产品中所含的有害物质不致引起环境污染, 不会对人身、财产造成严重的不良影响。环保使用期限仅在遵照产品使用说明, 正确使用产品的条件下才有效。不当的使用, 将会导致有害物质泄漏的危险。

产品中有毒物质的名称及含量

部件名称	有害物质					
	铅 (Pb)	汞 (Hg)	镉 (Cd)	六价铬 (Cr(VI))	多溴联苯 (PBB)	多溴二苯醚 (PBDE)
主体	塑胶件	○	○	○	○	○
	五金件	×	○	○	○	○
	硅胶件	○	○	○	○	○
	内置电路板	×	○	○	○	○
附件	交流电源适配器、线绳	×	○	○	○	○

*表示某些产品可能不含有这些项目, 上表当中的信息仅在产品含有这些项目时适用。

本表格依据SJ/T 11364的规定编制。

○: 表示该有害物质在该部件所有均质材料中的含量均在GB/T 26572规定的限量要求以下。

×: 表示该有害物质至少在该部件的某一均质材料中的含量超出GB/T 26572规定的限量要求, 因根据现有的技术水平, 还没有什么物质能够代替它。

保护环境

如果需要废弃本产品, 请遵循本地相关指引, 请勿随意丢弃或作为生活垃圾处理, 以避免对环境造成污染。

质量承诺

亲爱的NUX用户:

在您使用NUX产品时, 请仔细阅读产品说明书, 当您有疑问和困难时, 请拨打售后服务热线:

400-990-9866

■ 一周内出现质量问题可退货退款 ■ 一年内出现质量问题可免费维修

■ 一月内出现质量问题可调换 ■ 终身享有咨询和维修服务

[请向销售商索取正规发票并予以保存]

换修政策

一、包换政策:

1. 消费者通过正规授权渠道购买的产品, 自购机之日起1个月之内, 在正常使用情况下出现非人为的产品性能故障, 且产品外观及包装保持完好, 可向所购机的经销商换机。
2. 消费者在换机时应出示由经销商开出的购机凭证, 否则经销商可以不予更换。

二、保修政策:

1. 消费者通过正规授权渠道购买的产品(以发票所示销售方为准), 自购买之日起1年内, 若出现非人为损坏的性能故障, 可享受免费维修服务。
2. 对于超过1年或人为及不可抗力因素造成损坏的产品, 我司可提供有偿维修服务。

*本售后政策仅适用于中国大陆地区, 其它国家及地区以当地售后政策及法律法规为准。