

## GS-R Series

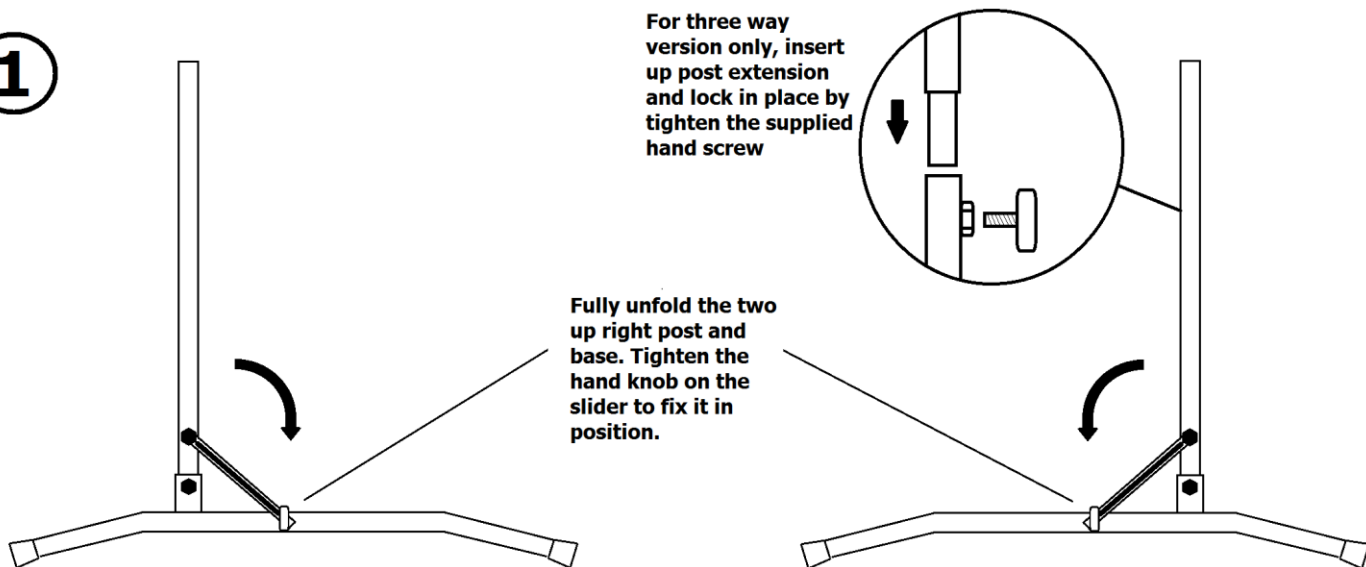
GUITAR RACK STAND

Item ref: 180.133UK, 180.135UK, 130.137UK

Assembly Guide



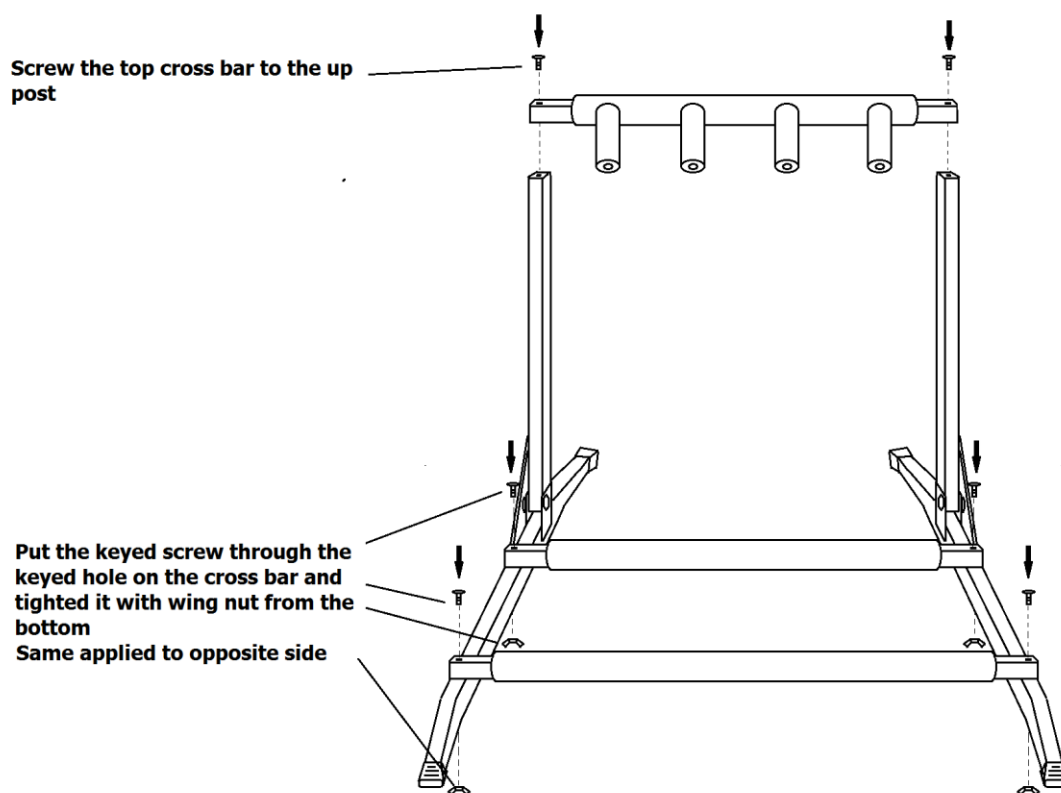
**1**



For three way version only, insert up post extension and lock in place by tighten the supplied hand screw

Fully unfold the two up right post and base. Tighten the hand knob on the slider to fix it in position.

**2**



Screw the top cross bar to the up post

Put the keyed screw through the keyed hole on the cross bar and tightened it with wing nut from the bottom  
Same applied to opposite side