



Handheld Metal Detection Security Wand

Order ref: 499.915UK

User Manual

This high-performance handheld metal detector is designed to meet the requirements of the security industry and is ideal for body searches in locations such as border/building security and crowd control. It can also be used to scan parcels or letters for metal objects or in any other application where the presence of metal poses a security threat.

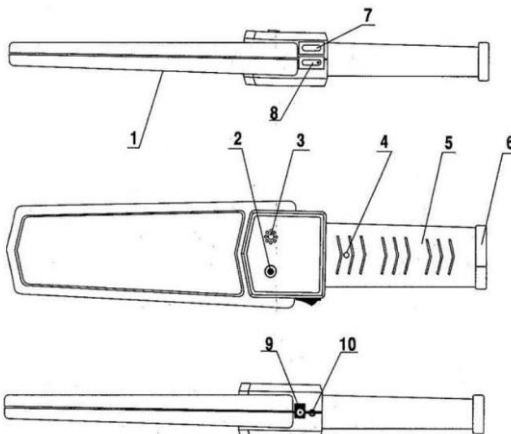
Specification:

Detection range	20mm steel ball at 63.5mm depth
Power consumption	270mW-50mA
Operating frequency	22kHz
Operating temperature	-30 to 30°C
Battery	9V PP3 (supplied)
Dimensions	410 x 85 x 45mm
Weight	395g (without battery)

Features:

- Perfect for security at indoor/outdoor events, border control and letter/parcel scanning
- Easy to use, no adjustments necessary
- High or low sensitivity options
- Sound or vibration alert options
- Low battery alert
- Supplied with belt holster
- Uses one 9V battery (supplied)

Overview:



1. Detection area
2. LED indicator
3. Speaker
4. Sensitivity adjustment
5. Handle
6. Battery compartment
7. Low sensitivity switch
8. On/Off switch
9. Battery charging socket
10. Sound/Vibration button

Usage Instructions:

1. To install the battery, first slide the battery compartment panel (6) back with your thumb to reveal the terminal connections. Clip the included 9V PP3 battery into the connectors ensuring its properly secured then slide the battery inside the housing and replace the panel by sliding shut.
2. Switch on the detector by pressing the On/Off rocker switch (8) downwards. The LED indicator (2) will initially light red to engage the self-test function, followed by green once the unit is ready to use.
3. Next set the unit to either sound or vibration alert by pressing the Sound/Vibration button (10).
Note: If the button is inwards the unit is set to vibrate alerts and if its outwards its set to sound alerts.
4. To begin a high sensitivity test, hold the handle (5) and pass the detection area (1) over the subject area slowly and smoothly. If a metal object is detected the unit will either beep or vibrate (depending on button (10) selection) and the LED indicator (2) will change to red.
5. If a low sensitivity test is required to eliminate detection of smaller objects, press and hold the low sensitivity switch while carrying out the test as in point 4. above.
6. When the battery in the unit becomes low on power the LED indicator (2) will begin to flicker. At this point replace the battery accordingly.
7. If a rechargeable battery is used its possible to recharge the battery using a 10V DC charger via the socket on the unit (9).
Note: rechargeable battery and charger not supplied. Never charge a non-rechargeable battery in this detector.

Warning:

- For reasons of electrical safety, this device must never be immersed in water, exposed to damp conditions or excessive force.
- Do not locate this device close to a source of heat or expose to high temperatures.
- Do not use this device if you find that it is damaged in any way.
- Do not attempt to repair this device or take apart under any circumstances, as this will invalidate your warranty.
- Never try and charge a non-rechargeable battery in this detector.



This product is classed as Electrical or Electronic equipment and should not be disposed with other household or commercial waste at the end of its useful life. The goods must be disposed of according to your local council guidelines.

Errors and omissions excepted.

Copyright© 2023 AVSL Group Ltd, Unit 2 Bridgewater Park,
Taylor Road, Trafford Park, Manchester. M41 7JQ.

AVSL (Europe) Ltd, Unit 3D North Point House,
North Point Bus. Park, New Mallow Road, Cork, Ireland.