

LED-DLW-DIMMABLE

Ultra Slim LED Downlight Fittings

Item ref: 521.404UK, 521.407UK, 521.408UK, 521.410UK, 521.413UK, 521.417UK, 521.420UK, 521.422UK, 521.425UK, 521.429UK, 521.431UK, 521.434UK

User Manual

- The round fittings are slim to make them ideal for installations where space within the ceiling may be limited.
- The fittings are supplied with a mains dimmable driver (trailing edge compatible)
- Three different colour options (Warm white, Natural White and Cool White)
- Available in four sizes (110MM, 160MM, 210MM and 225MM)
- TP (b) Rated
- IP54 Rated
- Beam Angle- 110°
- Lamp Life- >30,000 hours
- White finish



Product sizing and specifications:

| Model Number | Product Code | Actual Size | Cut out size | Wattage | Colour Temperature | Lumens |
|------------------|--------------|-------------|--------------|---------|--------------------|--------|
| LED-DLW110-6WWD | 521.404UK | Φ120x20mm | Φ110mm | 6W | 3000K | 410 |
| LED-DLW110-6NWD | 521.407UK | Φ120x20mm | Φ110mm | 6W | 4000K | 430 |
| LED-DLW110-6CWD | 521.408UK | Φ120x20mm | Φ110mm | 6W | 6000K | 450 |
| LED-DLW160-12WWD | 521.410UK | Φ170x20mm | Φ160mm | 12W | 3000K | 820 |
| LED-DLW160-12NWD | 521.413UK | Φ170x20mm | Φ160mm | 12W | 4000K | 850 |
| LED-DLW160-12CWD | 521.417UK | Φ170x20mm | Φ160mm | 12W | 6000K | 880 |
| LED-DLW210-18WWD | 521.420UK | Φ225x20mm | Φ210mm | 18W | 3000K | 1240 |
| LED-DLW210-18NWD | 521.422UK | Φ225x20mm | Φ210mm | 18W | 4000K | 1320 |
| LED-DLW210-18CWD | 521.425UK | Φ225x20mm | Φ210mm | 18W | 6000K | 1400 |
| LED-DLW225-24WWD | 521.429UK | Φ240x20mm | Φ225mm | 24W | 3000K | 1840 |
| LED-DLW225-24NWD | 521.431UK | Φ240x20mm | Φ225mm | 24W | 4000K | 1940 |
| LED-DLW225-24CWD | 521.434UK | Φ240x20mm | Φ225mm | 24W | 6000K | 2040 |

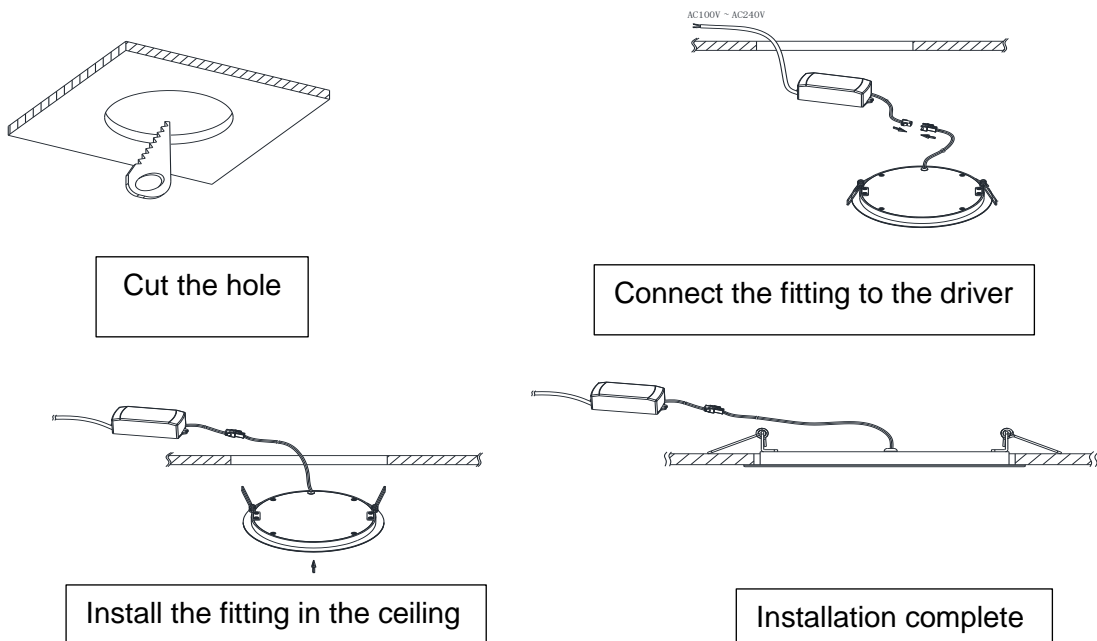
The Primalux (LED-DLW's) are available in three colour temperatures for each size of model and can be installed into suspended ceilings to create a flush profile luminaire. The intention is to deliver a wide dispersion of light with minimal glare.



The fittings can be wired directly into the mains supply or via a triac type wall dimmer (leading or trailing edge) which will offer the availability to use variable dimming control for more sophisticated lighting requirements.

Before connecting the downlight, please ensure that the mains is isolated. The power circuit is double-insulated and does not require an earth connection, so this means that the centre terminal is not used. The connections that are used on this fitting are Live and Neutral wires (brown and blue)

Product Installation Instructions:



Disposal: The "Crossed Wheelie Bin" symbol on the product means that the product is classed as Electrical or Electronic equipment and should not be disposed with other household or commercial waste at the end of its useful life. The goods must be disposed of according to your local council guidelines.

*Errors and omissions excepted.
copyright© 2019. AVSL Group Ltd.*

User Manual