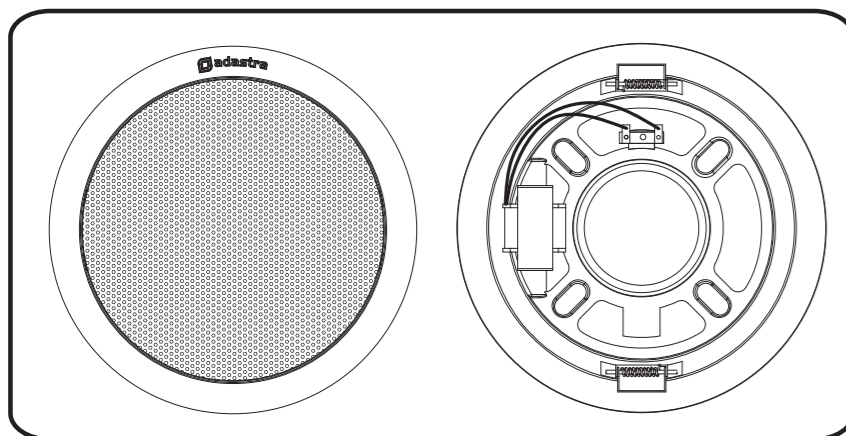




952.163UK

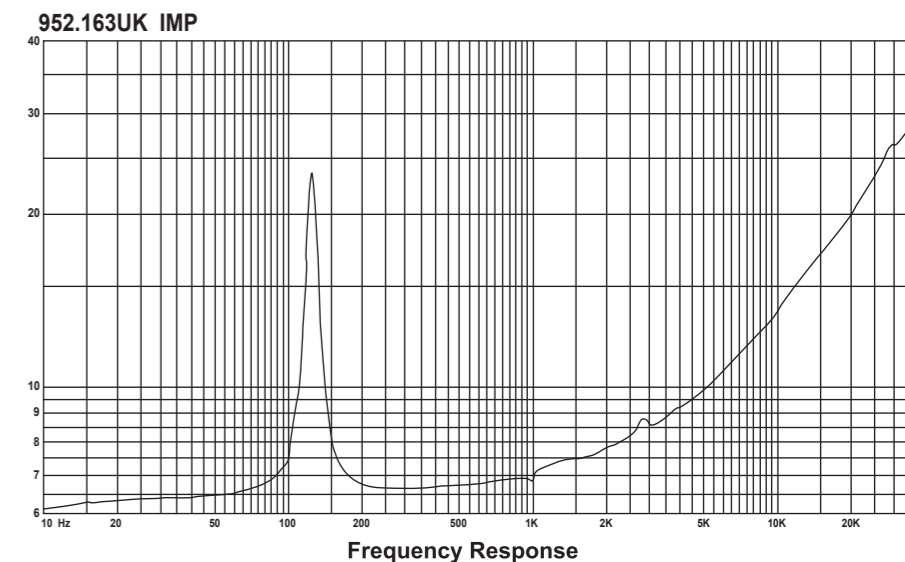
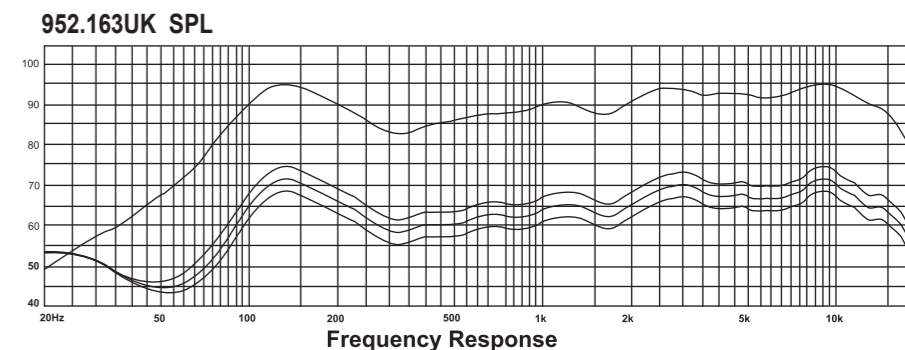
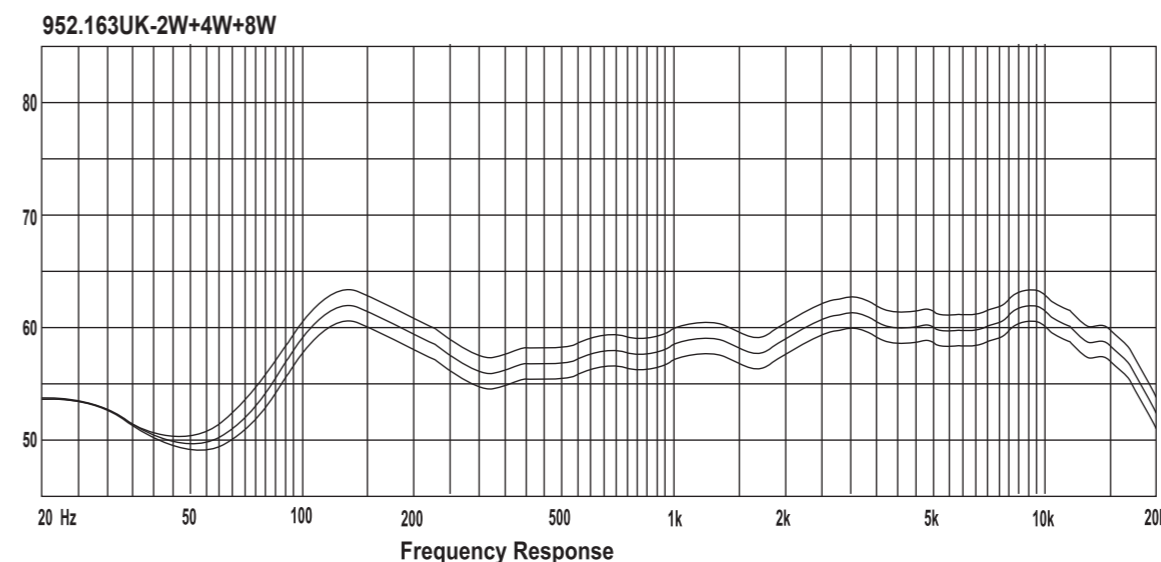
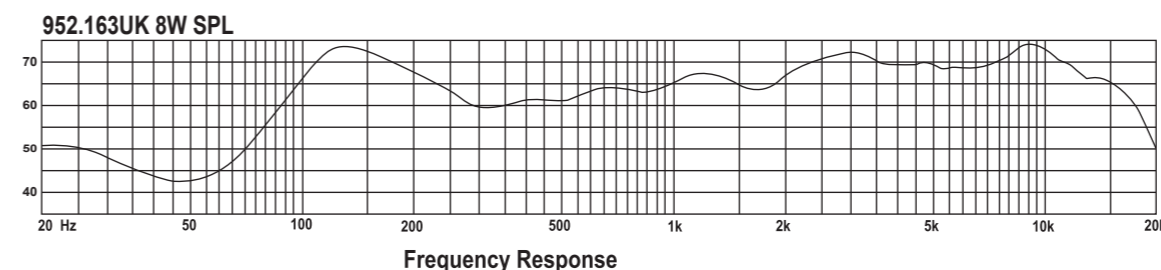
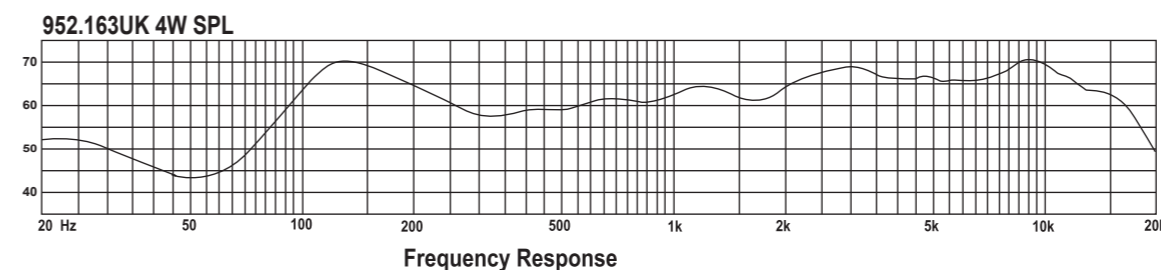
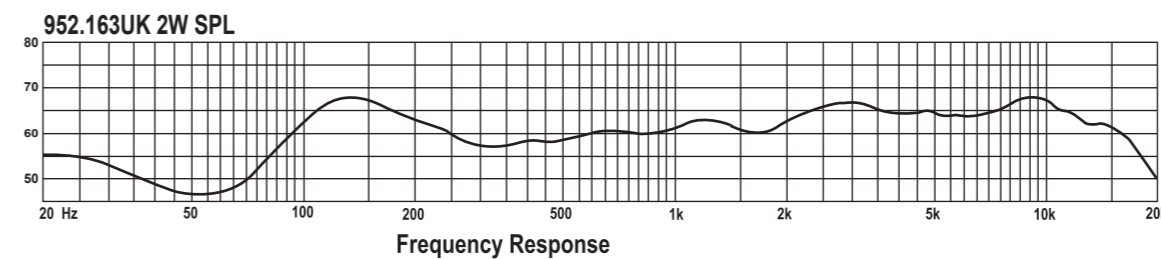
METAL QUICK FIT CEILING SPEAKER



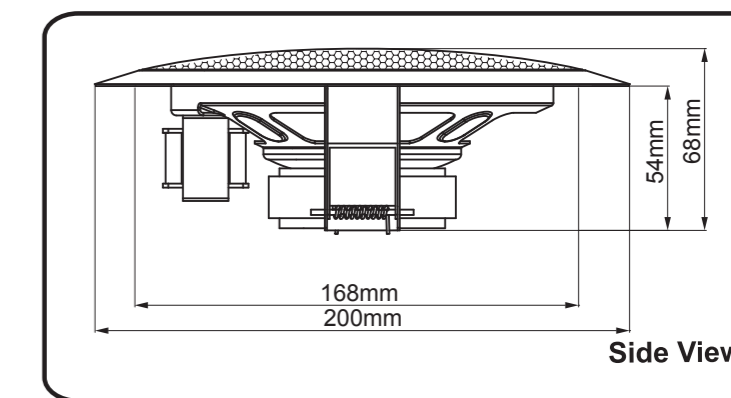
952.163UK

Technical Specifications

Rated power	40 Watts RMS
Tappings 100 volt line	8/4/2 Watts
Transformer Impedance, Ohms, 100V	1.25k/2.5k/5k Ω
Driver impedance	8 Ohms
Effective frequency range (BS6840)	125Hz-20 KHz
S.P.L@1m, 1watt, dB, Test Signal Bandwidth 100Hz - 10KHz	84 dB
S.P.L@ Full power Octave Bandwidth	85 dB
Acoustic Power (dB, PWL@1 watt) 1k/2kHz	89/89 dB
Overall diameter	Φ 200mm
Net weight	760g
Colour/Finish	White
Material	Metal Driver Chassis & Grille with UV inhibitors
Mounting Depth	60mm
Cut- out	Φ 168mm



952.163UK



www.avsl-adastra.com