

RGBW Wi-Fi Touch Wall Controller

User Manual



Wall Controller



RGBW Controller

Introduction

Lyyt RGBW smart controller with touch RF wall plate is compatible with voice control via Amazon Alexa and Google Assistant. Simply download the Tuya application to control LED tape remotely from your phone, the app features 8 pre-set lighting effect modes, sound to light technology, colour scroll and a timer function. Complete with the Wi-Fi controller is a sleek glass touch wall plate controller which has another 9 pre-set lighting effect modes, speed and dimming control and an individual white LED control button. This controller can be used with either 12V-24V RGBW or RGB LED tape/COB strip.

Product Features

- Wi-Fi controller powered by Tuya
- Voice control via Amazon Alexa and Google Assistant
- Pre-set lighting effect modes
- Sound-to-light technology
- Speed and dimming control
- Timer function
- Pair multiple receivers to the same remote control to achieve wireless synchronization effect. (RGBW Controller units need to be within 10 metres of one another)

Specifications

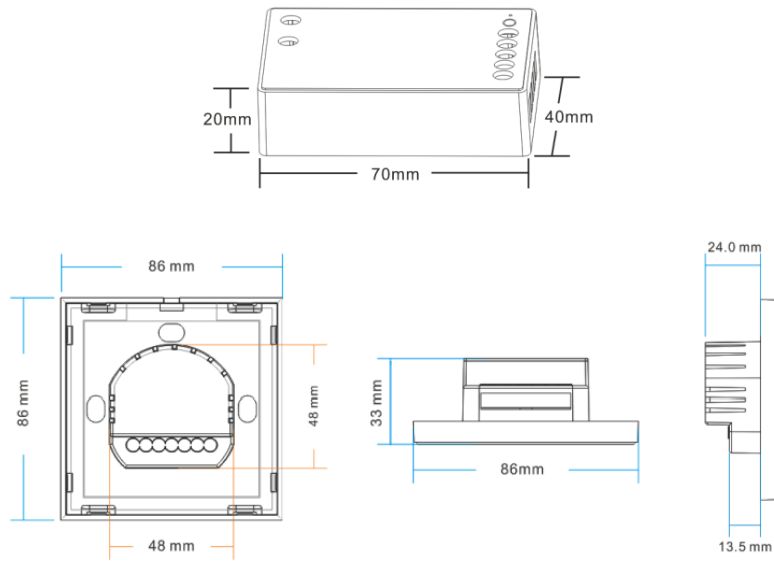
RGBW Controller

Working temperature	-20-60°C	Supply voltage	DC12V-24V
Static power consumption	<1W	Connecting mode	Common anode
Grayscale	1024 levels	Speed stage	100 levels
External dimension	L70*W40*H20 mm	Packing size	L95*W47*H33mm
Net weight	65g	Gross weight	80g
RF frequency	2.4GHz	RF distance	≤20m
Short circuit protection	Yes	Memory function	Yes
Output	4 channels	Output current	≤4A(each channel)
PWM frequency	1.95KHz	Max. Output power	12V:<192W, 24V:<384W

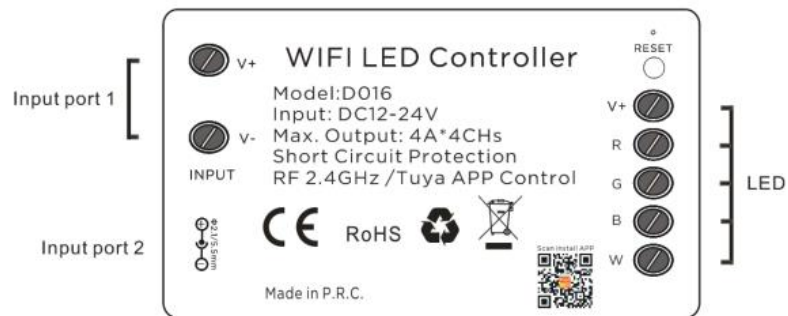
Wall Controller

Ambient temperature	0-45°C	Working voltage	AC90-265V(50/60Hz)
Standby power	0.2W	Working power	2W
Net weight	130g	RF frequency	433.92MHz
Dimension	86*86*34mm	RF distance	≤20m
Structure	86-type European standard		

Dimensions

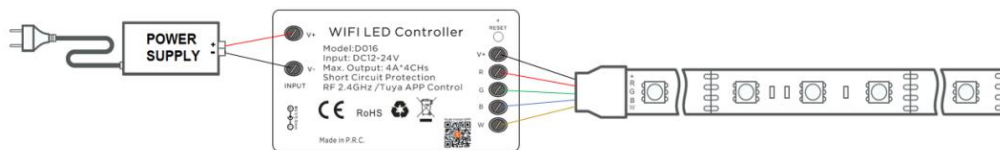


RGBW Controller Interface

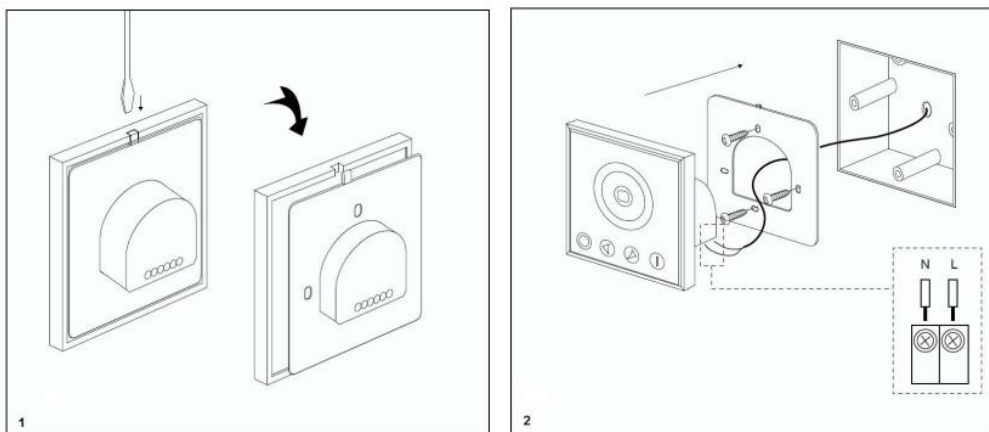


Installation & directions for use

A typical RGBW Controller installation will look like this:




The Wall Controller can be installed into a standard back box and connects directly to AC90-265V.



If you are unsure about any step of this installation, please consult a qualified professional.

App installation & pairing

To control your lighting via Wi-Fi, you will need to download and install the Tuya app. The RGBW controller features a QR code to scan which will direct you to the app, or you can search for 'Tuya' on the Apple Store or the Google Play Store. The app logo will look like this: 

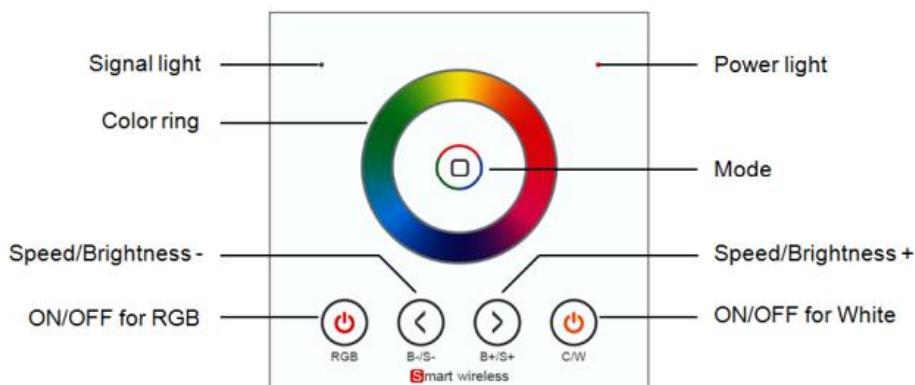
Once you have registered the Tuya application you will need to add your new lighting to the app.

Simply follow the on-screen instructions and once you reach the stage where you need to pair the RGBW Controller with the app, simply hold down the reset button for 5-6 seconds until the attached LED lights start to flash rapidly. The app will report that the lights have been paired successfully. If the auto detect feature in the Tuya app does not work, you can add the RGBW Controller manually by selecting Lighting -> Light Source (Wi-Fi).

To pair the Wall Controller, simply hold down the C/W button until the green Signal LED in the top left-hand corner begins to flash rapidly. The Wall Controller will automatically pair with the RGBW Controller, and the LED will cease to flash.

You will then be able to control the lights with either the Wall Controller or the Tuya app.

Wall Controller functions



Button	Function	Notes
RGB	Turns RGB LED's ON or OFF	
C/W	Turns White LED's ON or OFF	
Mode	Changes the lighting mode	The controller features 9 lighting modes (see below)
Speed/Brightness+	Increases the speed or brightness by one unit	Speed is used in dynamic lighting modes & brightness is used in static lighting modes
Speed/Brightness-	Decreases the speed or brightness by one unit	
Colour Ring	Touch and drag to select your desired led colour.	

Lighting Modes

No	Patterns	No	Patterns
1	Static white	6	Seven-color gradient changing
2	White breath	7	R/G cross fade
3	Three-color jump changing	8	R/B cross fade
4	Seven-color jump changing	9	G/B cross fade
5	Three-color gradient changing		

Resetting the Wall Controller

It may be necessary to reset the wall controller back to factory default settings. To do this, press and hold the ON/OFF RGB button for 5 seconds. The LED light should flash quickly and then return to normal. This means that the Wall Controller has been reset.

Pairing multiple Wall Controllers

Since each Wall Controller has its own unique code from new it may be necessary to pair multiple controllers together. To do this, press and hold the C/W button on the primary Wall Controller for 5 seconds. The LED should start to flash quickly as the controller enters code transmission status. On the secondary Wall Controller press and hold the Mode Key for 5 seconds. The LED should flash showing it has entered a code receiving state. Once the secondary controller LED flashes 3 times, then the operation is complete.



This product is classed as Electrical or Electronic equipment and should not be disposed with other household or commercial waste at the end of its useful life. The goods must be disposed of according to your local council guidelines.

Errors and omissions excepted.

Copyright© 2024 AVSL Group Ltd, Unit 2 Bridgewater Park,
Taylor Road, Trafford Park, Manchester. M41 7JQ.

AVSL (Europe) Ltd, Unit 3D North Point House,
North Point Bus. Park, New Mallow Road, Cork, Ireland.