

## PL-COB6Q

Par64 6 x 30W COB (RGBW)

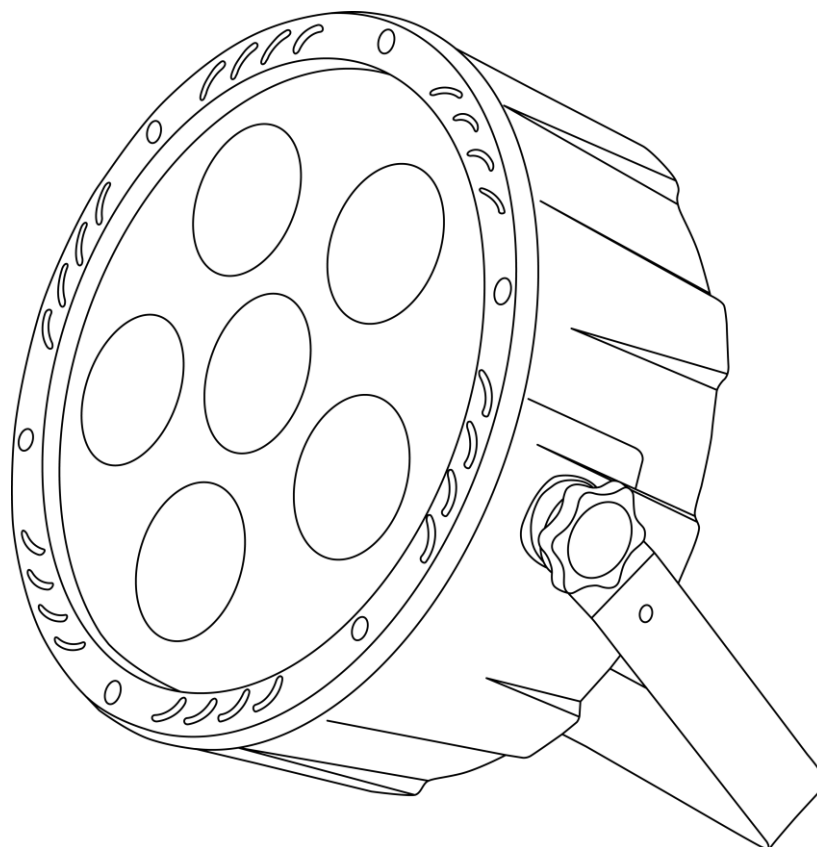
Item ref: 154.037UK

User Manual

---

**Please read this manual thoroughly before use.  
Any damage caused by misuse of the product will void the warranty.**

A lightweight and compact LED PAR Can fitted with 6 x 30W COB ultra bright LEDs. This unit can be controlled by auto, sound-to-light, master/slave programs or via DMX. A great value solution for background wash illumination. To prevent risk of fire or electric shock, do not expose unit to rain or moisture. In case of accidental spillage on the unit, disconnect the main and allow unit to dry completely. Have unit check by professional personnel to ensure safety before further use.



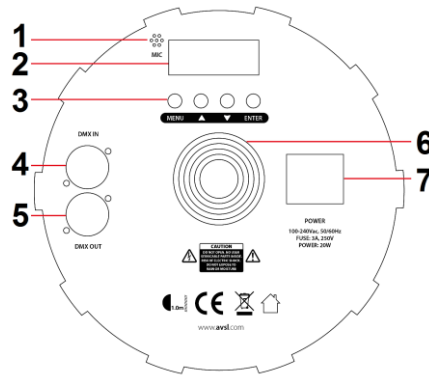
### Contents

PAR Can unit with hanging bracket, mains lead and manual. Please check all contents are complete before use, return to your dealer if anything is missing.

Always check the correct voltage and the condition of the IEC lead before connecting to a power outlet. Always ensure any DMX leads used are in good condition with no short connections or damaged plugs.

## Product Layout

1. Microphone
2. 7 segment LED Display
3. 4 Button Menu Settings
4. DMX in
5. DMX out
6. Cooling fan DO NOT OBSTRUCT
7. IEC mains inlet & fuse holder



## Menu using 4 Button Manual Control

Press Menu	Press Up/Down	Press Enter
<i>dXXX</i>	<i>d00 1 - d5 12</i>	DMX start address setting
<i>SoXX - A<sub>u</sub>XX</i>	<i>So0 1</i>	Sound activated colour change
	<i>So02</i>	Sound activated colour strobe
	<i>A<sub>u</sub>0 1</i>	Static red (see ST for Strobe speed)
	<i>A<sub>u</sub>02</i>	Static green (see ST for Strobe speed)
	<i>A<sub>u</sub>03</i>	Static blue (see ST for Strobe speed)
	<i>A<sub>u</sub>04</i>	Static pure White (see ST for Strobe speed)
	<i>A<sub>u</sub>05</i>	Static yellow (see ST for Strobe speed)
	<i>A<sub>u</sub>06</i>	Static cyan (see ST for Strobe speed)
	<i>A<sub>u</sub>07</i>	Static purple (see ST for Strobe speed)
	<i>A<sub>u</sub>08</i>	Static full white (see ST for Strobe speed)
<i>A<sub>u</sub>09</i>	Colour change (see SP for speed setting)	
<i>A<sub>u</sub> 10</i>	Colour Scroll (see SP for speed setting)	
<i>StXX</i>	<i>St00</i>	MUST BE <i>St00</i> TO AVOID STROBE EFFECT ON STATIC COLOUR SETTINGS
	<i>St0 1 - St 16</i>	Strobe speed (slow to fast) for static colour settings
<i>SPXX</i>	<i>SP0 1 - SP 16</i>	Speed setting (slow to fast) on <i>A<sub>u</sub>09</i> and <i>A<sub>u</sub> 10</i>
<i>rXXX</i>	<i>r000 - r255</i>	Red 0 – 100% Dimmer
<i>gXXX</i>	<i>g000 - g255</i>	Green 0 – 100% Dimmer
<i>bXXX</i>	<i>b000 - b255</i>	Blue 0 – 100% Dimmer
<i>wXXX</i>	<i>w000 - w255</i>	White 0 – 100% Dimmer

## Installation

The PL-COB6Q is supplied with a mounting bracket which can be used as a free-standing support or hanging bracket.

When installing the fixture, ensure all fixings are secure, controls and connections are accessible and do not obstruct the rear cooling fan vents.

## Operation

### Static colour

To select one of the preset static colours, press Menu until the display shows **S0xx** or **R0xx** (where “\*\*” is a number).

Press the up/down buttons until **R001** to **R008** is displayed and press enter to select one of these options.

### Auto programs

To select auto colour change or scroll, press Menu until the display shows **S0\*\*** or **R0\*\*** (where “\*\*” is a number).

Press the up/down buttons until **R009** or **R010** is displayed and press enter to select. Pressing Menu again until the display shows **SP01** - **SP16** enters the speed adjustment for the program, which can be set using the Up/Down buttons.

### Strobe setting

In either static colour or auto program mode, pressing Menu until **S0\*\*** is displayed (where “\*\*” is a number) enters strobe mode. **S000** is no strobe, whereas **S001** - **S016** strobe speeds can be set using the Up/Down buttons.

The strobe effect will flash in the colour(s) of the auto program.

### Sound-to-light

To select the sound-to-light function, press Menu until the display shows **S0xx** or **R0xx** (where “xx” is a number), press the up/down buttons until **S001** or **S002** is displayed and press enter to select.

**S001** is a sound activated colour change and **S002** is a sound activated strobe effect.

### Master/slave mode

To use in Master/Slave mode, connect PL-COB6Q units with XLR cables from DMX out to DMX in as a daisy chain. On the Master unit (first in the daisy chain), using the 4 control buttons on the back panel, select your chosen program. All subsequent units in the daisy chain should be set to DMX address **d001** to set them up as Slave units. These will then mimic the output of the Master unit.

### DMX mode

To control the fixture via a DMX controller, simply connect the DMX signal source (controller) to the ‘DMX in’ of the unit using a balanced XLR lead. Additional fixtures can be controlled by the same DMX signal by connecting an XLR cable from DMX out of the first unit to DMX in of the second unit, DMX out from the second unit to DMX in of the third unit and so on... For long daisy chains, it is advised to use a DMX terminator plug on DMX out of the last fixture. Press the Up/Down buttons to set the DMX start address **d001** - **d512**

## DMX Value Reference

Channel	DMX Value	Function
CH1	001 - 255	Master dimming for CH5, CH6, CH7 & CH8 (0-100%)
CH2	001 - 255	Strobe (slow to fast)
CH3	001 - 050	No Function
	051 - 100	Colour Jump
	101 - 150	Gradual colour Change
	151 - 200	Colour Fade
	201 - 255	Sound activation
CH4	001 - 255	Speed Control for CH3
CH5	001 - 255	RED 0-100% (Ensure CH1 has DMX value of +021)
CH6	001 - 255	GREEN 0-100% (Ensure CH1 has DMX value of +021)
CH7	001 - 255	BLUE 0-100% (Ensure CH1 has DMX value of +021)
CH8	001 - 255	WHITE 0-100% (Ensure CH1 has DMX value of +021)

## Troubleshooting

No power (mains)	Check mains voltage is correct and outlet is switched on
	Check IEC lead and fuse (if fuse continually blows, refer to your dealer)
No LED display	Press any control panel button and check LED setting in menu
No light output	Check control panel mode settings
	Check DMX settings from controller (dimmer levels, blackout etc.)
No strobe output	Check strobe settings on control panel or from DMX controller
Unresponsive to DMX	Check that unit is in DMX mode
	Check DMX controller is not set to black out
	Check DMX controller is on correct fixture/page
	Check master dimmer value
	Check correct DMX address is set
	Check DMX connection and leads



This product is classed as Electrical or Electronic equipment and should not be disposed with other household or commercial waste at the end of its useful life. The goods must be disposed of according to your local council guidelines.