

NUX

Stageman II
CHARGE
AC-80
Acoustic Amplifier
Owner's Manual



WARNING

To reduce the risk of fire or electric shock, do not expose this appliance to rain or moisture.

FCC ID: 2A0AA-AC-80

CAUTION

This device complies with part 15 of the FCC Rules. Operation is subject to the following two conditions: (1) this device may not cause harmful interference, and (2) this device must accept any interference received, including interference that may cause undesired operation. Any changes or modifications not expressly approved by the party responsible for compliance could void the user's authority to operate the equipment.

NOTE: This equipment has been tested and found to comply with the limits for a Class B digital device, pursuant to Part 15 of the FCC Rules. These limits are designed to provide reasonable protection against harmful interference in a residential installation. This equipment generates, uses and can radiate radio frequency energy and, if not installed and used in accordance with the instructions, may cause harmful interference to radio communications. However, there is no guarantee that interference will not occur in a particular installation.

If this equipment does cause harmful interference to radio or television reception, which can be determined by turning the equipment off and on, the user is encouraged to try to correct the interference by one or more of the following measures:

- Reorient or relocate the receiving antenna.
- Increase the separation between the equipment and receiver.
- Connect the equipment into an outlet on a circuit different from that to which the receiver is connected.
- Consult the dealer or an experienced radio/TV technician for help. The device has been evaluated to meet general RF exposure requirement. The device can be used in portable exposure condition without restriction.



The lightning symbol within a triangle means, "Electrical caution!" It indicates the presence of information about operating voltage and potential risks of electrical shock.



The exclamation point within a triangle means, "Caution!" Please read the information next to all caution signs.

Introduction	03
Control Panel	04
Rear Panel	05
Operation	06
Signal Diagram	11
Specifications	12

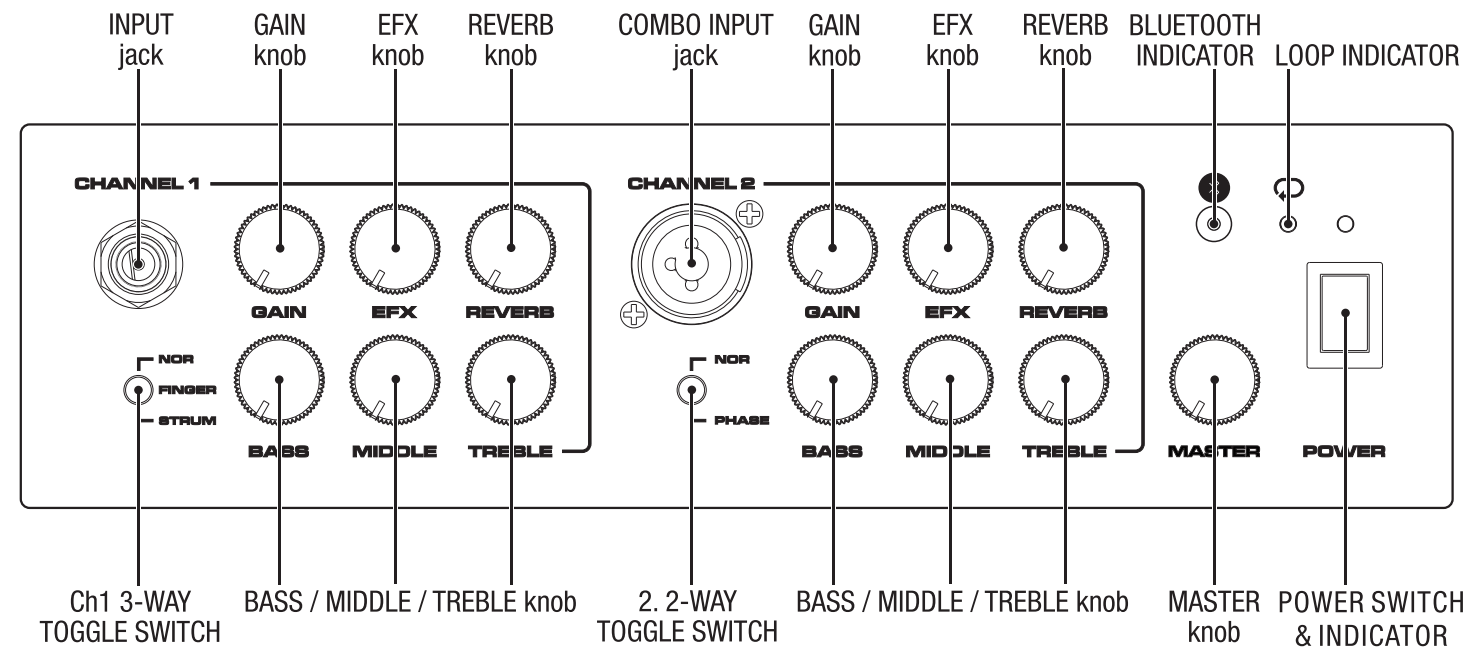
Introduction

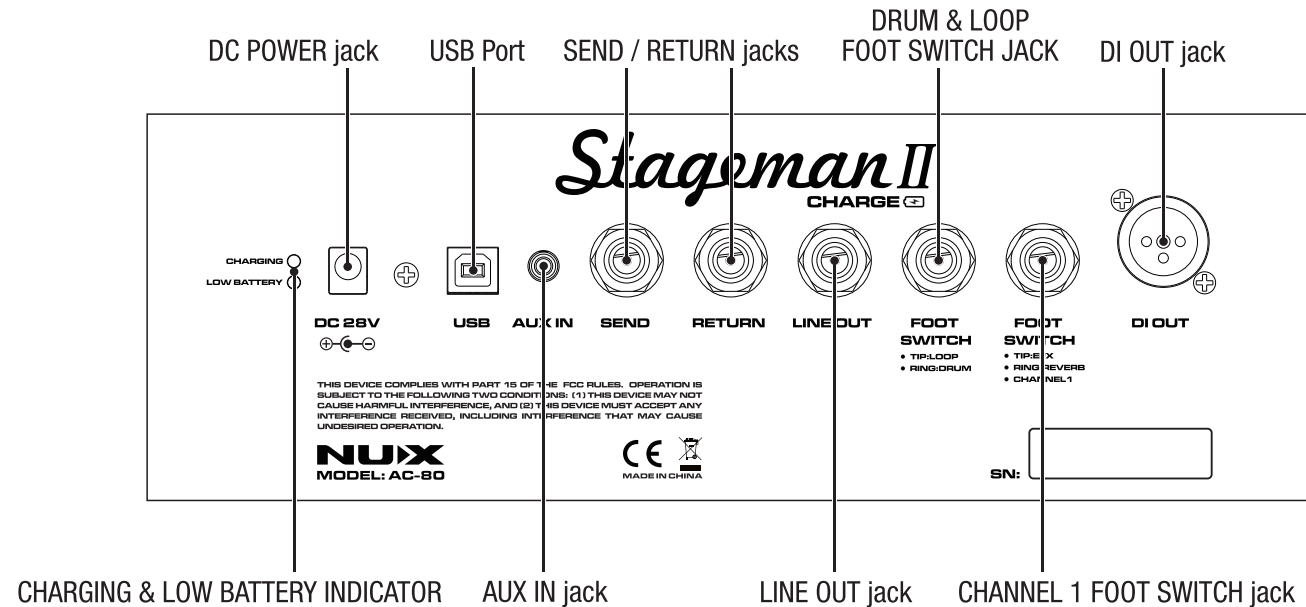
NUX Stageman II(AC-80) is an upgrade version from Stageman(AC-50) acoustic guitar amplifier. The feature is analog preamp with nice Core-Image post-effects. For Stageman II, we design specific EQ scenes for finger style, and strum style in channel 1. NUX also has very intelligent acoustic IR application for channel 1, you can engage Acoustic IR by APP. Acoustic IR is the new trend to make your acoustic sound as mic'ing. Stageman II keeps Drum & loop, you can control the function by the original NMP-2 foot controller.

Features

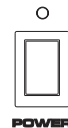
- 80 watts rich warm sound acoustic amp with 6.5" premium speaker and 1" tweeter.
- 2 independent channels with routing adjustable post-effects.
- Acoustic impulse response.
- Battery power for busking application.
- Drum & Loop(60s phrase loop).
- Bluetooth audio stream.
- Free App controller.
- USB firmware update.

Control Panel





POWER SWITCH & INDICATOR



Toggle the switch to turn on the amp, the indicator will also turn on.

MASTER knob



Controls the overall level to power amp section.

CHANNEL 1 INPUT jack



Connect electric-acoustic guitar with cable to the 1/4" INPUT jack.

Ch1 3-WAY TOGGLE SWITCH



You can choose 3 different EQ scenes for channel 1 input.
NOR=Normal means flat EQ
FINGER=Finger Style means a little bit bright
STRUM=Strum Style means strong mid-low end response.

GAIN knob



Controls the input level.

BASS / MIDDLE / TREBLE knobs



These 3 knobs control related low / mid / high end response.

Operation

REVERB knob



Controls Reverb MIX level.

EFX knob



Controls related effect MIX, you can choose the effect model through APP.



CHANNEL 2 COMBO INPUT jack



You can connect with electric-acoustic guitar or dynamic microphone.

2-WAY TOGGLE SWITCH



You can switch to phase to avoid feedback issue while you use dual output system.

GAIN knob



Controls the input level.

Operation

BASS / MIDDLE / TREBLE knobs



These 3 knobs control related low / mid / high end response.

EFX knob



Controls related effect MIX, you can choose the effect model through APP.

REVERB knob



Controls Reverb MIX level.

BLUETOOTH INDICATOR



While the amp connects with mobile device (Bluetooth Audio Stream), the indicator will turn on, and you can hear “bi~” from the amp. If there is no connection, the indicator will flash.

For APP connection, please open the STAGMEN APP, and go to “Settings” to choose “Current Amp” as “Stageman II”. Then click to scan devices, and you will find Stageman II. Click it, it will connect automatically. Since connected, you can tweak all the parameters from mobile phone.

LOOP INDICATOR



REC=Red , DUB=Orange , PLAY=Green

CHARGING & LOW BATTERY INDICATOR



While you connect with the adaptor to charge, the CHARGING indicator will turn on. While it's full of battery, the CHARGING indicator will turn off. While you use battery power, and the battery runs out of power, amplifier will turn off. In the meantime, LOW BATTERY indicator will turn on to remind you low battery status.

Operation

DC POWER jack



DC 28V
⊕ ⊖

Please connect with the original power adaptor to power the amp.

USB PORT



USB

You can do firmware update through USB port. Please visit the product page to check firmware update instruction, and download the newest firmware.

AUX IN jack



AUX IN

Connect MP3 player to play backing tracks.

SEND / RETURN jacks



SEND

RETURN

09

You can connect other effect pedals through send / return jacks.

LINE OUT jack



LINE OUT

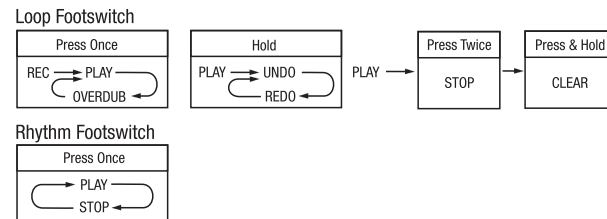
Connect to mixer or recording interface as you want.

DRUM & LOOP FOOT SWITCH jack



FOOT SWITCH
• TIP: LOOP
• RING: DRUM

Connects with NUX NMP-2 Lite, you can trigger the TIP(B foot switch) for LOOP function and trigger the RING(A foot switch) for DRUM function.



Operation

CHANNEL 1 FOOT SWITCH jack



FOOT SWITCH
• TIP: EFX
• RING: REVERB
• CHANNEL 1

Connects with NUX NMP-2 Lite, you can trigger the TIP(B foot switch) for EFX and trigger the RING(A foot switch) for REVERB effect.

Note: For EFX model, you can choose through APP.

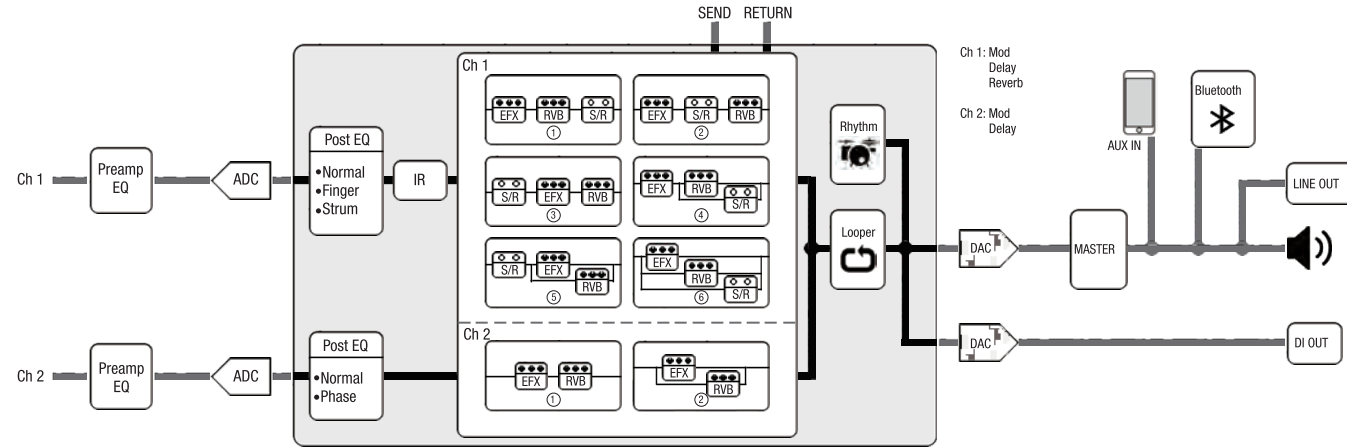
DI OUT jack



DI OUT

You can use DI OUT for balanced signal to interface or PA system.

10



- Impedance:
 CHANNEL 1: 4.7MΩ
 CHANNEL 2: 100kΩ
 SEND: .1kΩ
 RETURN: 1MΩ
 AUX In: 33kΩ
- Speaker:
 Size: 6.5" Woofer x 1, 1" Tweeter
 Frequency Response Range: 50Hz -20kHz(-3dB)
- Power:
 80 Watt : Power Supply(Included: 4A at 28V DC)
 40 Watt: Rechargeable Battery(Built-in)

- Battery:
 Capacity: 5000mAh
 Battery Charging Time: 6 hours(approx. @current: 1A)
- Dimensions: 310mm(L) x 280mm(W) x 328mm(H)
- Weight: 9.8kg

NOTE: To avoid the built-in Li-battery pseudo-fault, please charge the amplifier once per 3 months.

What's in the box?

AC-80 x 1, Power Adapter x 1, Patch Cable x 1, NMP-2 LITE x 1, User Manual x 1, NUX Sticker x 1.

*Specifications and appearance subject to change without notice.

© 2020 Cherub Technology-All rights reserved. No part of this publication may be reproduced in any form without prior written permission of Cherub Technology.