



Photoelectric Smoke Detector with 10 Year Sealed Battery

Order ref: 350.129UK

User Manual

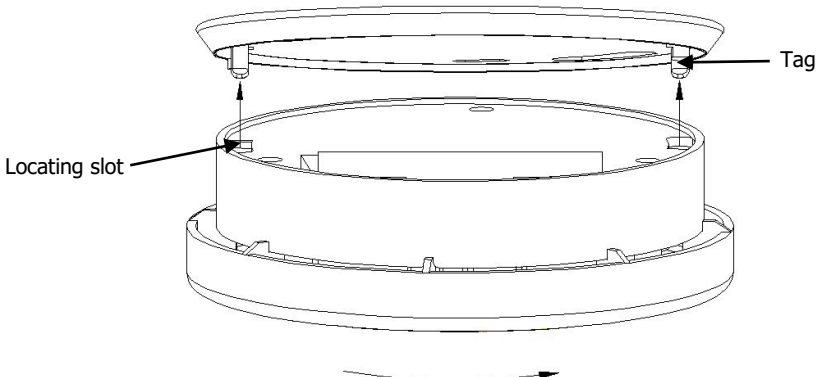
An easy to use photoelectric smoke alarm that needs no battery maintenance during its 10 year lifespan. Simply engage the internal battery by releasing the pin on the base of the unit, fix to your desired surface and test on a regular basis. Once the detector nears the end of its 10 year life, a low battery indication alerts you to replace the unit. This model also has a hush feature to reduce the unit's sensitivity for a ten minute period when required.

Specification:

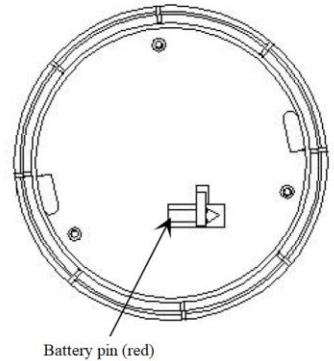
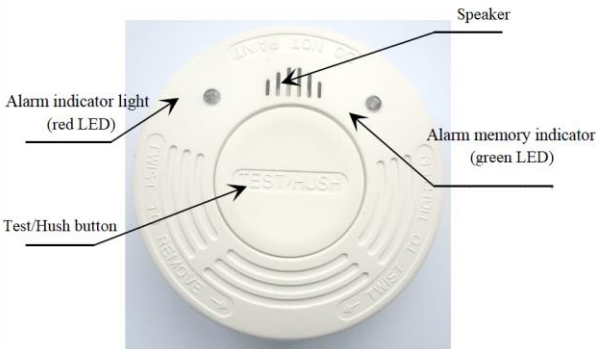
Battery	CR123A DC3V Internal (not removeable)
Alarm output	85dB @ 3m
Static working current	<2 μ A
Dimensions	101 x 34mm
Weight	116g

Installation:

1. Choose an appropriate position to install the alarm on a ceiling away from obstructions.
2. Use the screws and plugs provided to secure the installation panel securely to the ceiling.
3. Align the 2 locating slots in the smoke detector with the 2 tags on the installation panel and rotate it clockwise until it locks into position.



Testing and usage:



1. Turn the smoke detector anti-clockwise to remove it from the installation panel.
2. Slide the red battery pin on the back of the unit to the right and locate in the groove at position On.
3. Align the 2 locating slots in the smoke detector with the 2 tags on the installation panel and rotate it clockwise until it locks into position.
4. Depress and hold the test/hush button to check the alarm and red warning LED are functioning correctly. After testing the LED will flash every 10 seconds to inform you the unit is in low sensitivity (hush) mode. After around 10 mins the LED will flash every 40 seconds which indicates the unit is now in standard operating mode. To enter the low sensitivity mode at any time press and hold the button until the alarm is sounded and the LED flashes every 10 seconds.
5. If the alarm sounds due to detecting smoke at any time, an alarm memory will be saved. This will be evident as the green LED will flash 3 times repeatedly and will last for 24 hours until clearing itself.

Please note:

- Test the alarm weekly.
- No user serviceable parts inside.
- When the battery power is low the red LED will flash and an intermittent beep will sound to indicate the unit needs replacing.
- Do not use in dusty and smoky environments.
- Keep out of the reach of children.
- Please retain this manual for future reference.



19
2831
2831-CPR-F0913
EN14604:2005/AC:2008
Photoelectric Smoke Detector
350.129UK-001

Intended for Fire Safety and installed in buildings

Essential characteristic 1: Pass
Essential characteristic 2: Pass
Essential characteristic 3: Pass
Essential characteristic 4: Pass
Essential characteristic 5: Pass
Essential characteristic 6: Pass
Essential characteristic 7: Pass
Essential characteristic 8: Pass

This product is classed as Electrical or Electronic equipment and should not be disposed with other household or commercial waste at the end of its useful life. The goods must be disposed of according to your local council guidelines.

Errors and omissions excepted.

Copyright© 2022 AVSL Group Ltd, Unit 2 Bridgewater Park,
Taylor Road, Trafford Park, Manchester. M41 7JQ.

AVSL (Europe) Ltd, Unit 3D North Point House,
North Point Bus. Park, New Mallow Road, Cork, Ireland.