

## LED Backlit Panels

Item ref: 520.180UK, 520.181UK, 520.183UK, 520.184UK, 520.186UK, 520.187UK,  
520.190UK, 520.191UK, 520.193UK, 520.194UK.

User Manual



Caution: Please read this manual carefully before operating  
Damage caused by misuse is not covered by the warranty

Product Code	Description
520.180UK	600x600mm 36W LED Panel 4000K TP(b)
520.181UK	600x600mm 36W LED Panel 6000K TP(b)
520.183UK	600x600mm 36W LED Panel 4000K TP(a)
520.184UK	600x600mm 36W LED Panel 6000K TP(a)
520.186UK	600x1200mm 72W LED Panel 4000K TP(a)
520.187UK	600x1200mm 72W LED Panel 6000K TP(a)
520.190UK	600x600mm 36W LED Panel Low UGR 4000K TP(a)
520.191UK	600x600mm 36W LED Panel Low UGR 6000K TP(a)
520.193UK	600x600mm 25W LED Panel High Lumen 4000K TP(a)
520.194UK	600x600mm 25W LED Panel High Lumen 6000K TP(a)

### Introduction

Thank you for choosing the Primalux Backlit LED Panels for your lighting installation. The panels and accessories supplied are intended for professional use only and should be fitted by a qualified electrical installer. Please use and retain the following instructions as a guide when installing the above products.

### Package Contents

- LED Ceiling Panel.
- Lifud 36W LED Panel Driver.
- User Manual

If any parts or accessories are missing, please contact your dealer immediately.

**Voltage:** 230Vac, 50/60Hz

**DC Current:** 900mA

**DC Voltage:** 33-40V

**Beam Angle:** 110°

**Lamp Life (hours):** >25,000

## Safety

Primalux LED panels are professional mains powered items and should only be installed by a qualified electrical installer.

All mains connections must be made in accordance with the appropriate safety regulations.

Do not attempt to use alternative power supplies or power more than one panel from a single driver.

To prevent the risk of fire or electric shock, do not expose any components to liquids or moisture.

Avoid impact, extreme pressure or heavy vibration to the housing.

No user serviceable parts inside – Do not open the panel.



**Warning! The LED driver supplied with this panel must be earthed**

## Placement

Ensure adequate support from ceiling or grid structure for the weight of all panels to be suspended.

Do not place heavy weights on top of the panel.

Allow enough slack in cables and connections for servicing and access.

## Cleaning

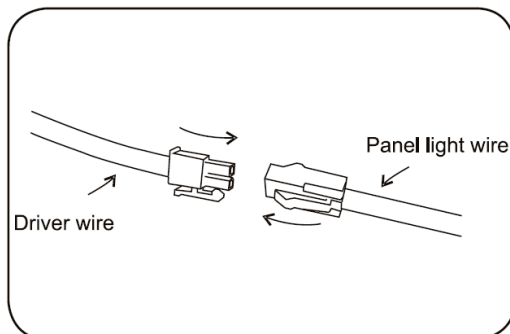
Clean the LED panels periodically for efficient performance using a clean dry anti-static cloth.

A lightly damp cloth may be used to remove stains – allow the panel to dry completely before use.

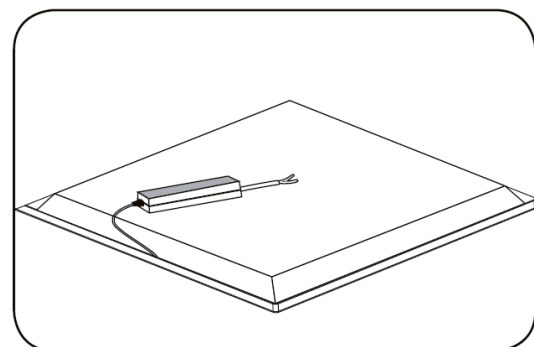
Do not use solvents on any part of the housing.

## Installation

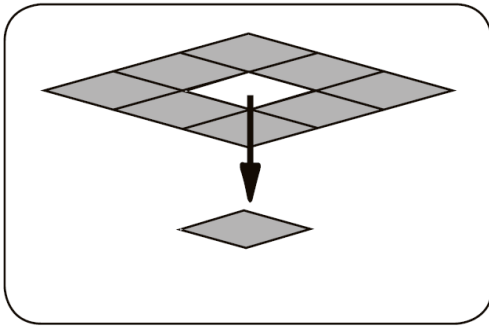
There can be two methods of installation dependent upon the type of ceiling which the panel is being installed into. Either installed into a ceiling grid or via a surface mount kit (520.192UK)



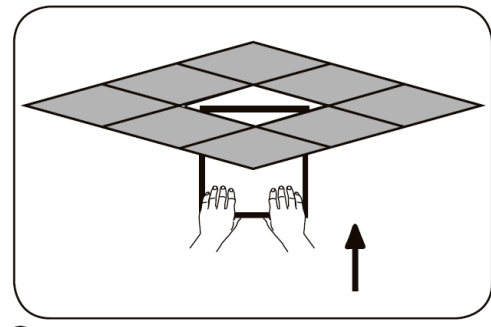
① Connect the LED Panel cable to the DC side of the LED Driver.



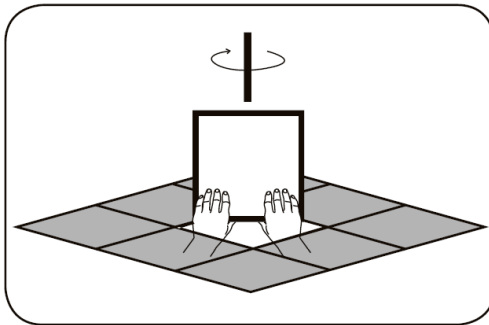
② Place the driver on the back of the panel.



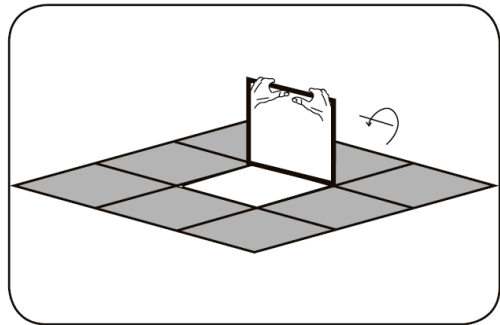
3 Remove the ceiling grid panel.



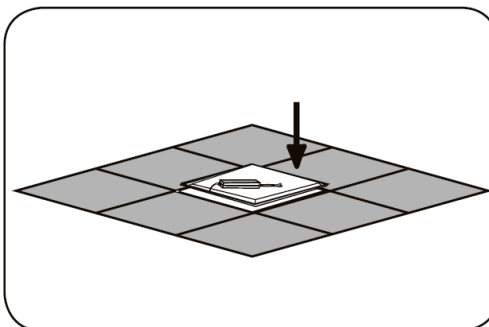
4 Insert the LED Panel in to ceiling grid.



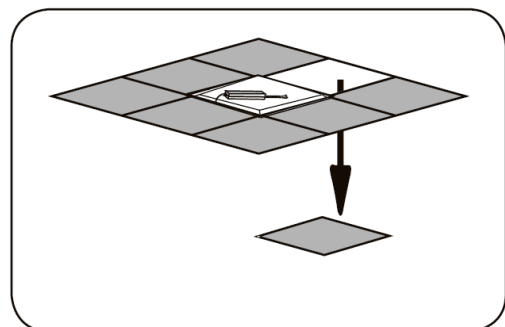
5 Rotate the Panel to insert easily in to the ceiling grid.



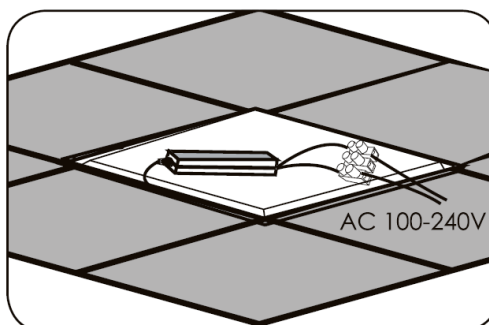
6 Place the LED Panel in line with the ceiling grid.



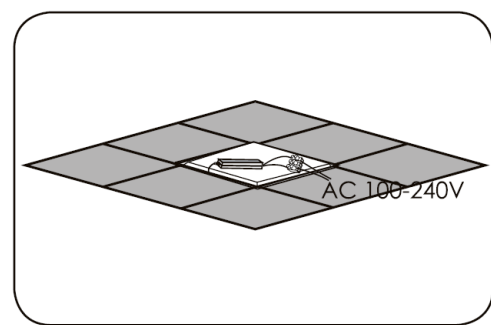
7 Ensure the Panel sits evenly inside of the T-bar ceiling grid.



8 Remove a ceiling panel next to the LED Panel.



9 Connect the LED Driver to AC mains power.



10 Replace the ceiling Panel to complete installation.



**Disposal:** The "Crossed Wheelie Bin" symbol on the product means that the product is classed as Electrical or Electronic equipment and should not be disposed with other household or commercial waste at the end of its useful life. The goods must be disposed of according to your local council guidelines.

*Errors and omissions excepted.  
Copyright© 2019. AVSL Group Ltd.*

User Manual