



MPS Series

Manual Projector Screen

Item ref: 952.328UK/952.329UK/952.330UK

User Manual

A range of manually operated large format projector screens. The screen can be pulled down to the desired level and set by the auto lock function. When not in use the screen will retract back into the housing smoothly when the lock is released via the integral spring mechanism. The screen is housed in a white steel case with mounting brackets on either end, allowing installation onto ceilings or walls. The screen itself has a weighted bottom bar to prevent the screen jamming in the case or curling. Various sizes available for all types of installation such as classrooms, auditoriums or places of worship.

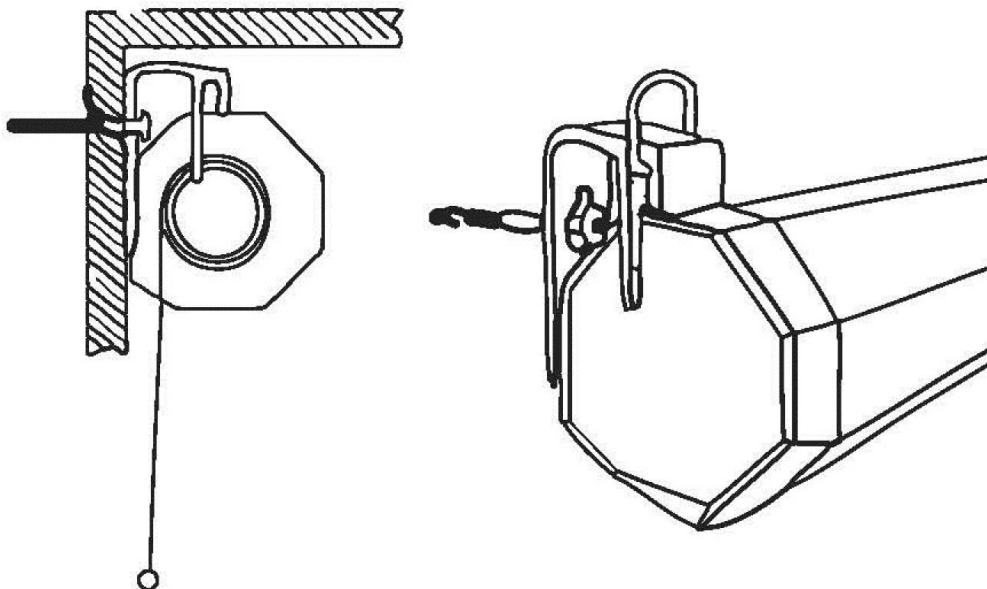
Features:

- Black border enhances the definition of the projected image
- Flame retardant and mildew proof
- Smooth lock & release mechanism
- Available in 1:1 and 4:3 formats

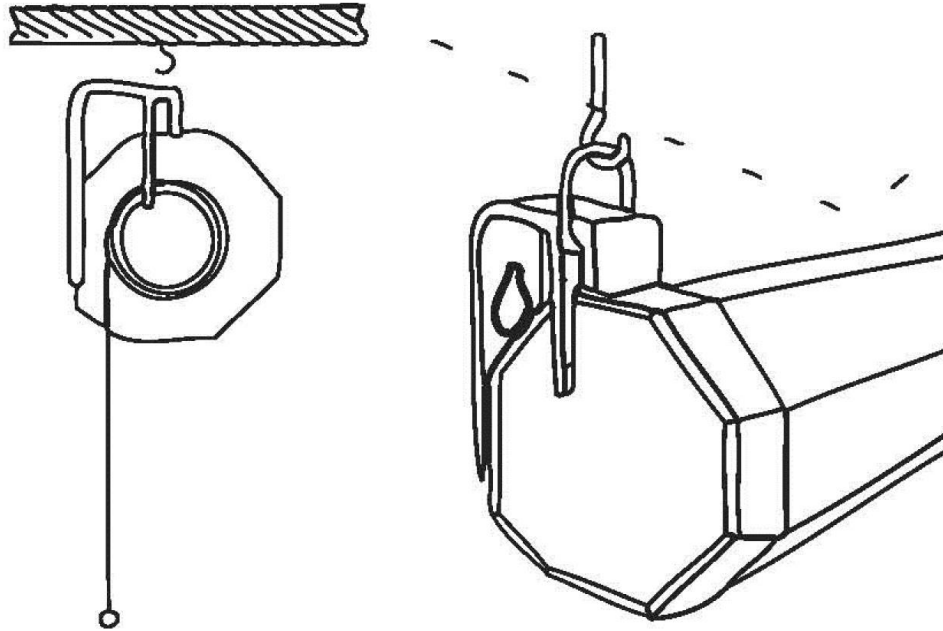
Installation:

This projector screen is suitable for both wall and ceiling mounting, it is important the unit is installed accurately using a spirit level to ensure the screen can operate correctly & safely.

Wall mounting



Ceiling mounting



To open:

Pull screen down gently until desired drop is achieved. Hold for a moment for the auto-lock will activate.

To close:

Pull screen down slightly to release the lock and allow the screen to retract back into the unit slowly. Do not release suddenly as this may cause damage to the unit.

Warning:

- Do not use this screen if you find that it is damaged in any way.
- Do not attempt to repair this unit or take it apart under any circumstances, as this will invalidate your warranty.

Errors and omissions excepted.

Copyright© 2021 AVSL Group Ltd, Unit 2 Bridgewater Park,
Taylor Road, Trafford Park, Manchester. M41 7JQ.

AVSL (Europe) Ltd, Unit 3D North Point House,
North Point Bus. Park, New Mallow Road, Cork, Ireland.